

TC5020-12MP

4/3" f=50mm F/2.0 12Megapixel Lens

● SPECIFICATIONS

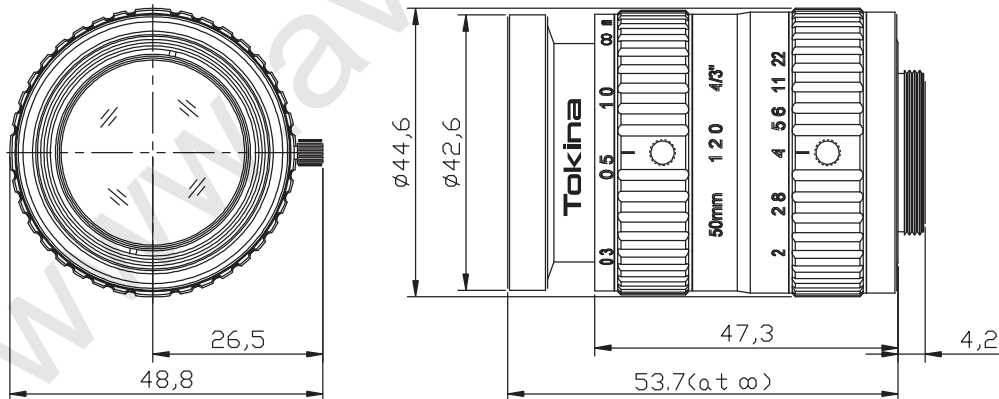
MODEL NUMBER		TC5020-12MP	FILTER SIZE	M40.5X0.5
IMAGE FORMAT		4/3-inch	DIMENSIONS	∅ 44.6x 53.7mm
FOCAL LENGTH		50mm	WEIGHT	170g
MAXIMUM APERTURE		F1:2.0	OPERATING TEMPERATURE	-10°C ~+50°C
APERTURE RANGE		F2.0-22	MOUNT	C-mount
M.O.D.		0.3m	FLANGE BACK	17.526mm
ANGLE OF VIEW (at 4/3 inch)	HORIZONTAL	20.9 °	BACK FOCAL LENGTH	20.29mm 12Megapixel
	VERTICAL	15.7 °		

● DIMENSIONS

UP to 4.7micron.

CMV8000(5.5micron) AI-08050(5.5micron)

KAI-10100(4.75micron) KAC-12040(4.7micron)



UNIT: mm