

Tokina

MOTORIZED ZOOM LENS

TM22Z1022AI (GAI) f = 10-220mm F/2.2 VIDEO AUTO IRIS

TM22Z1022AIPN (GAIPN) f = 10-220mm F/2.2 VIDEO AUTO IRIS with Preset

SPECIFICATIONS

MODEL No.		TM22Z1022AI (GAI) / TM22Z1022AIPN (GAIPN)
IMAGE FORMAT		1/2"
MOUNT		C-Mount
FOCAL LENGTH		10 - 220mm
APERTURE		F1 : 2.2
APERTURE RANGE		F2.2 - 360
ANGLE OF VIEW () = 1/3"	DIAGONAL	W41.99° - T2.17° (W32.11° - T1.64°)
	HORIZONTAL	W34.14° - T1.74° (W25.90° - T1.31°)
	VERTICAL	W25.90° - T1.31° (W19.53° - T0.99°)
M. O. D.		1.8m
BACK FOCAL LENGTH		11.0mm
FILTER SIZE		M67mm P=0.75
DIMENSIONS(mm)		W80.0 X H101.0 X L158.7mm
WEIGHT		800g

• VIDEO AUTO IRIS

INPUT VOLTAGE	DC+8V ~ +16V
CURRENT CONSUMPTION	Less than 35mA
INPUT SIGNAL	VS or V Signal
IRIS ACCURACY	±15% (Video Signal Level)
SENSITIVITY	0.5~1.0Vp-p (Video Signal)
RESPONSE SPEED	Approx. 1.5 Seconds

• FOCUS / ZOOM

INPUT VOLTAGE	DC+6 ~ +12V
CURRENT CONSUMPTION	Less than 60mA
MOTORIZATION SPEED	Approx. 4.5 Seconds

CABLE CONNECTION

■ VIDEO AUTO IRIS (4-Wire shield cable)

CABLE COLOR	CONNECTION
RED	Power (DC+8 ~ +16V)
WHITE	VS or V Signal
GREEN	Not Used
BLACK	Ground

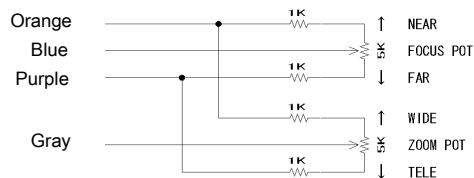
■ POTENTIOMETER-PRESET (TM22Z1022AIPN (GAIPN) Only)

CABLE COLOR	CONNECTION
ORANGE	Pot. Supply
BLUE	Focus Pot. Wiper
PURPLE	Pot. Return
GRAY	Zoom Pot. Wiper

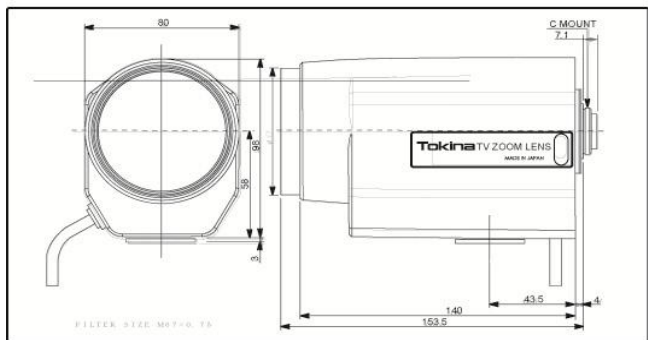
■ ZOOM / FOCUS

FUNCTION	CABLE COLOR	POLARITY	DIRECTION
ZOOM	GREEN	+ (-)	Wide (Tele)
	WHITE	- (+)	
FOCUS	BLACK	+ (-)	Inf. (Near)
	RED	- (+)	

Wiring details for potentiometer-preset



APPEARANCE



*Design and specifications are subject to change without notice.

Distributed By: Audio Video Supply -- Tel: 1-800-284-2288 -- www.avsupply.com

For design help, accessories or pricing, please contact:
sales@avsupply or call: 1-858-565-1101

AUDIOVIDEO SUPPLY
1-800-284-2288 sales@avsupply.com
www.avsupply.com

Tokina

MOTORIZED ZOOM LENS

TM22Z1022GAIDC f = 10-220mm F/2.2 DC AUTO IRIS

TM22Z1022GAIDCPN f = 10-220mm F/2.2 DC AUTO IRIS with Preset(Focus/Zoom)

SPECIFICATIONS

MODEL No.	TM22Z1022GAIDC / TM22Z1022GAIDCPN	
IMAGE FORMAT	1/2"	
MOUNT	C-Mount	
FOCAL LENGTH	10 - 220mm	
APERTURE	F1 : 2.2	
APERTURE RANGE	F2.2 - 360	
ANGLE OF VIEW () = 1/3"	DIAGONAL	W41.99° - T2.17° (W32.11° - T1.64°)
	HORIZONTAL	W34.14° - T1.74° (W25.90° - T1.31°)
	VERTICAL	W25.90° - T1.31° (W19.53° - T0.99°)
M. O. D.	1.8m	
BACK FOCAL LENGTH	11.0mm	
FILTER SIZE	M67mm P=0.75	
DIMENSIONS	W80.0 X H101.0 X L158.7mm	
WEIGHT	800g	
OPERATING TEMPERATURE	-10°C ~ +60°C	

• FOCUS / ZOOM	FOCUS	ZOOM
INPUT VOLTAGE	DC+6 ~ +12V	DC+6 ~ +12V
CURRENT CONSUMPTION	Less than 60mA	Less than 60mA
RESPONSE SPEED	Approx. 4.5 sec.	Approx. 4.5 sec.

CABLE CONNECTIONS

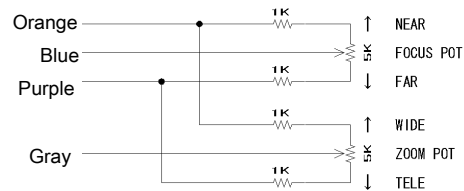
• DC AUTO IRIS (4-Pins Connector)

SIGNAL	CABLE COLOR	PIN #	
Damping Coil -	RED	1	
Damping Coil +	BLACK	2	
Driving Coil +	WHITE	3	
Driving Coil -	GREEN	4	

■ POTENTIOMETER-PRESET (TM22Z1022GAIDCPN Only)

CABLE COLOR	CONNECTION
ORANGE	Pot. Supply
BLUE	Focus Pot. Wiper
PURPLE	Pot. Return
GRAY	Zoom Pot. Wiper

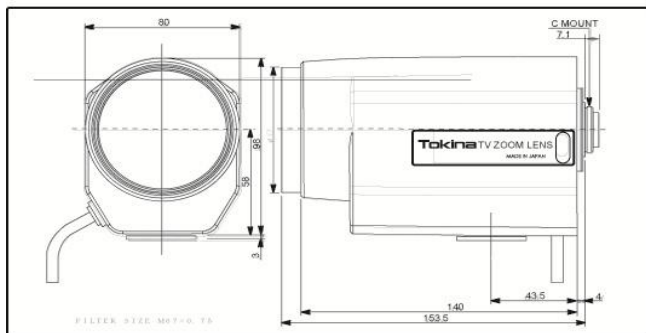
Wiring details for potentiometer-preset



■ ZOOM / FOCUS

FUNCTION	CABLE COLOR	POLARITY	DIRECTION
ZOOM	GREEN	+ (-)	Wide (Tele)
	WHITE	- (+)	
FOCUS	BLACK	+ (-)	Inf. (Near)
	RED	- (+)	

APPEARANCE



*Design and specifications are subject to change without notice.

For design help, accessories or pricing, please contact:
sales@avsupply or call: 1-858-565-1101

Tokina

MOTORIZED ZOOM LENS

TM22Z1022N f = 10-220mm F/2.2 3-MOTORS

TM22Z1022NPN f = 10-220mm F/2.2 3-MOTORS with Preset(Zoom/Focus)

SPECIFICATIONS

MODEL No.	TM22Z1022N / TM22Z1022NPN	
IMAGE FORMAT	1/2"	
MOUNT	C-Mount	
FOCAL LENGTH	10 - 220mm	
APERTURE	F1 : 2.2	
APERTURE RANGE	F2.2 - Close	
ANGLE OF VIEW () = 1/3"	DIAGONAL	W41.99° - T2.17° (W32.11° - T1.64°)
	HORIZONTAL	W34.14° - T1.74° (W25.90° - T1.31°)
	VERTICAL	W25.90° - T1.31° (W19.53° - T0.99°)
M. O. D.	1.8m	
BACK FOCAL LENGTH	11.0mm	
FILTER SIZE	M67mm P=0.75	
DIMENSIONS	W80.0 X H101.0 X L158.7mm	
WEIGHT	800g	
OPERATING TEMPERATURE	-10°C ~ +60°C	

IRIS/ZOOM/FOCUS Controls	IRIS	ZOOM	FOCUS
INPUT VOLTAGE	DC+6 ~ +12V	DC+6 ~ +12V	DC+6 ~ +12V
CURRENT CONSUMPTION	Max. 30mA	Max. 60mA	Max. 60mA
MOTORIZATION SPEED	Approx. 4.5 sec.	Approx. 4 sec.	Approx. 4 sec.

CABLE CONNECTIONS

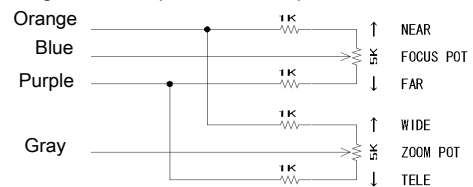
IRIS/ZOOM/FOCUS

FUNCTION	CABLE COLOR	POLARITY	DIRECTION
IRIS	YELLOW	+ (-)	Open (Close)
	BROWN	- (+)	
ZOOM	GREEN	+ (-)	Wide (Tele)
	WHITE	- (+)	
FOCUS	BLACK	+ (-)	Inf. (Near)
	RED	- (+)	

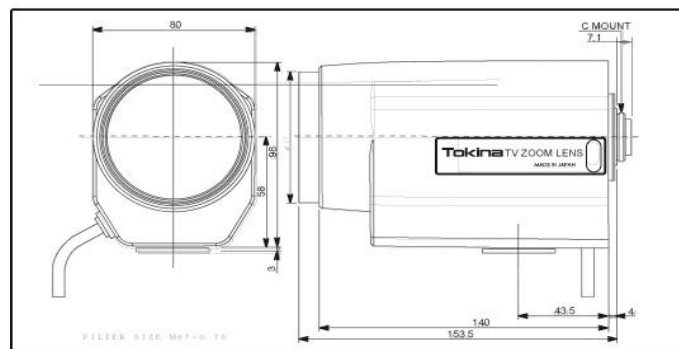
POTENTIOMETER-PRESET (TM22Z1022NPN Only)

CABLE COLOR	CONNECTION
ORANGE	Pot. Supply
BLUE	Focus Pot. Wiper
PURPLE	Pot. Return
GRAY	Zoom Pot. Wiper

Wiring details for potentiometer-preset



APPERANCE



*Design and specifications are subject to change without notice.

For design help, accessories or pricing, please contact:
sales@avsupply or call: 1-858-565-1101

Tokina

MOTORIZED ZOOM LENS

TM22Z1022NPN-3 f = 10-220mm F/2.2 3-MOTORS with Preset(Iris/Zoom/Focus)

SPECIFICATIONS

MODEL No.	TM22Z1022NPN-3		
IMAGE FORMAT	1/2"		
MOUNT	C-Mount		
FOCAL LENGTH	10 - 220mm		
APERTURE	F1 : 2.2		
APERTURE RANGE	F2.2 - Close		
ANGLE OF VIEW () = 1/3"	DIAGONAL	W41.99° - T2.17° (W32.11° - T1.64°)	
	HORIZONTAL	W34.14° - T1.74° (W25.90° - T1.31°)	
	VERTICAL	W25.90° - T1.31° (W19.53° - T0.99°)	
M. O. D.	1.8m		
BACK FOCAL LENGTH	11.0mm		
FILTER SIZE	M67mm P=0.75		
DIMENSIONS	W80.0 X H101.0 X L158.7mm		
WEIGHT	800g		
OPERATING TEMPERATURE	-10°C ~ 60°C		
■ IRIS/ZOOM/FOCUS Controls	IRIS	ZOOM	FOCUS
INPUT VOLTAGE	DC+6 ~ +12V	DC+6 ~ +12V	DC+6 ~ +12V
CURRENT CONSUMPTION	Max. 30mA	Max. 60mA	Max. 60mA
MOTORIZATION SPEED	Approx. 4.5 sec.	Approx. 4 sec.	Approx. 4 sec.

CABLE CONNECTIONS

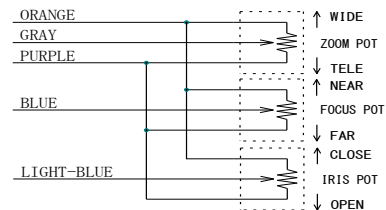
■ IRIS/ZOOM/FOCUS

FUNCTION	CABLE COLOR	POLARITY	DIRECTION
IRIS	YELLOW	+ (-)	Open (Close)
	BROWN	- (+)	
ZOOM	GREEN	+ (-)	Wide (Tele)
	WHITE	- (+)	
FOCUS	BLACK	+ (-)	Inf. (Near)
	RED	- (+)	

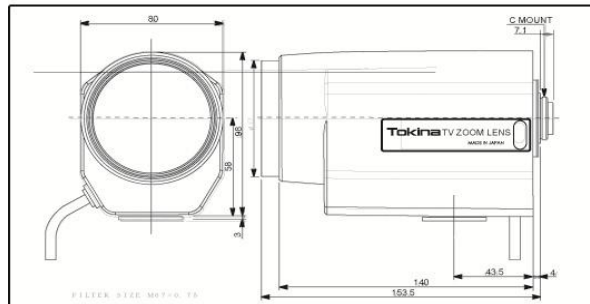
■ POTENTIOMETER-PRESET

CABLE COLOR	CONNECTION	POTENTIO RESISTANCE
ORANGE	Pot. Supply	Focus : 5KΩ ±5% 1W Zoom : 5KΩ ±5% 1W Iris : 5KΩ ±20% 0.19W
PURPLE	Pot. Return	
GRAY	Zoom Pot. Wiper	
BLUE	Focus Pot. Wiper	
LIGHT BLUE	Iris Pot. Wiper	

Wiring details for potentiometer-preset



APPERANCE



*Design and specifications are subject to change without notice.

For design help, accessories or pricing, please contact:
sales@avsupply or call: 1-858-565-1101