

Tokina

30X MOTORIZED ZOOM LENS (IR Compatible)

TM30Z1028GAIDC-IR f = 10-300mm F/2.8 DC AUTO IRIS
TM30Z1028GAIDCPN-IR f = 10-300mm F/2.8 DC AUTO IRIS With Preset

SPECIFICATION

MODEL NUMBER	TM30Z1028GAIDC-IR / TM30Z1028GAIDCPN-IR		
IMAGE FORMAT	1/2inch		
FOCAL LENGTH	10-300mm		
MAXIMUM APERTURE	F1 : 2.8		
APERTURE RATIO	F1:2.8 - 360		
M.O.D.	3m		
ANGLE OF VIEW () = 1/3"	HORIZONTAL	W35.5° - T1.2° (W27.0° - T0.9°)	
	VERTICAL	W27.0° - T0.9° (W20.4° - T0.7°)	
FILTER SIZE	M77mm, P=0.75		
BACK FOCAL LENGTH	43.27mm		
DIMENSIONS	W105 x H92 x L218.5mm		
WEIGHT	1.6Kg		
OPERATING TEMPERATURE	-10°C ~ 60°C		
MOUNT	C		

Electrical

FOCUS

INPUT VOLTAGE	DC+6 ~ +12V
CURRENT CONSUMPTION	60mA or Less
MOTORIZATION SPEED	9.5 Seconds (8V)

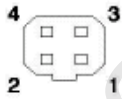
ZOOM

INPUT VOLTAGE	DC+6 ~ +12V
CURRENT CONSUMPTION	80mA or Less
MOTORIZATION SPEED	5 Seconds (6V)

CABLE CONNECTIONS

• DC AUTO IRIS (4-Pins Connector)

PIN #	SIGNAL
1	Damping Coil -
2	Damping Coil +
3	Driving Coil +
4	Driving Coil -



• POTENTIOMETER-PRESET (TM30Z1028GAIDCPN-IR Only)

CABLE COLOR	CONNECTION
Purple	Pot. Supply
Gray	Zoom Pot. Wiper
Orange	Pot. Return
Blue	Focus Pot Wiper

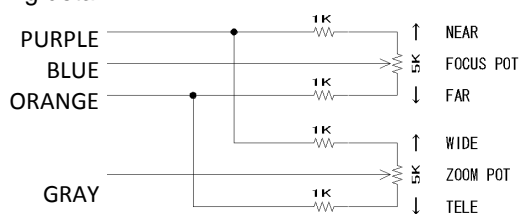
• FOCUS

CABLE COLOR	POLARITY	DIRECTION
Black	+ (-)	Inf. (Near)
Green	- (+)	

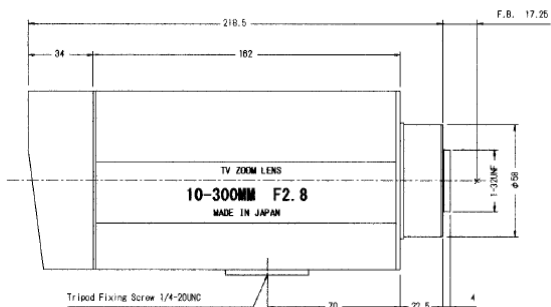
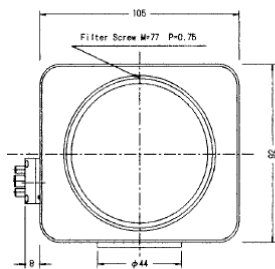
• ZOOM

CABLE COLOR	POLARITY	DIRECTION
Red	+ (-)	Wide (Tele)
Yellow	- (+)	

Wiring details for potentiometer-preset



APPERANCE



* Design and Specifications are subject to change without notice.

For design help, accessories or pricing, please contact:
 sales@avsupply or call: 1-858-565-1101

AUDIOVIDEO SUPPLY
 1-800-284-2288 sales@avsupply.com
 www.avsupply.com

Distributed By: Audio Video Supply -- Tel: 1-800-284-2288 -- www.avsupply.com

Tokina

30X MOTORIZED ZOOM LENS (IR Compatible)

TM30Z1028GAI-IR f = 10-300mm F/2.8 VIDEO AUTO IRIS
TM30Z1028GAIPN-IR f = 10-300mm F/2.8 VIDEO AUTO IRIS With Preset

SPECIFICATION

MODEL NUMBER		TM30Z1028GAI-IR / TM30Z1028GAIPN-IR
IMAGE FORMAT		1/2inch
FOCAL LENGTH		10-300mm
MAXIMUM APERTURE		F1 : 2.8
APERTURE RATIO		F1:2.8 - 360
M.O.D.		3m
ANGLE OF VIEW () = 1/3"	HORIZONTAL	W35.5° - T1.2° (W27.0° - T0.9°)
	VERTICAL	W27.0° - T0.9° (W20.4° - T0.7°)
FILTER SIZE		M77mm, P=0.75
BACK FOCAL LENGTH		43.27mm
DIMENSIONS		W105 x H92 x L218.5mm
WEIGHT		1.6Kg
OPERATING TEMPERATURE		-10°C ~ 60°C
MOUNT		C

Electrical

VIDEO AUTO IRIS	INPUT VOLTAGE	DC+8 ~ +16V
	CURRENT CONSUMPTION	30mA or Less
	INPUT SIGNAL	VS or V Signal
	IRIS ACCURACY	±15% at Video Signal Level
	SENSITIVITY	0.5 ~ 1.0Vp-p
	RESPONSE SPEED	Approx. 4 Sec.

FOCUS	INPUT VOLTAGE	DC+6 ~ +12V
	CURRENT CONSUMPTION	60mA or Less
	MOTORIZATION SPEED	9.5 Seconds (8V)

ZOOM	INPUT VOLTAGE	DC+6 ~ +12V
	CURRENT CONSUMPTION	80mA or Less
	MOTORIZATION SPEED	5 Seconds (6V)

CABLE CONNECTIONS

• VIDEO AUTO IRIS

CABLE COLOR	CONNECTION
Red	Power (DC8V-16V)
White	VS or V Signal
Green	Not Used
Black	GND

• FOCUS

CABLE COLOR	POLARITY	DIRECTION
Black	+ (-)	Inf. (Near)
Green	- (+)	

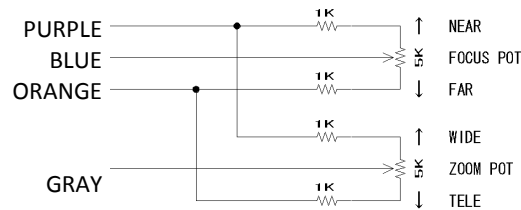
• ZOOM

CABLE COLOR	POLARITY	DIRECTION
Red	+ (-)	Wide (Tele)
Yellow	- (+)	

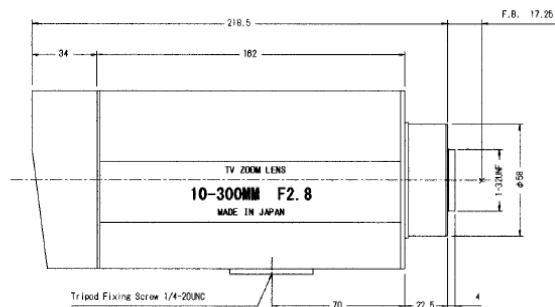
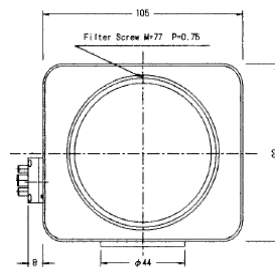
• POTENTIOMETER-PRESET (TM30Z1028GAIPN-IR Only)

CABLE COLOR	CONNECTION
Purple	Pot. Supply
Gray	Zoom Pot. Wiper
Orange	Pot. Return
Blue	Focus Pot Wiper

Wiring details for potentiometer-preset



APPEARANCE



* Design and Specifications are subject to change without notice.

For design help, accessories or pricing, please contact:
 sales@avsupply or call: 1-858-565-1101