

## 33X SUPER-MOTORIZED ZOOM LENS

**TM33Z1015AI** f = 10-330mm F/1.5 VIDEO AUTO IRIS  
**TM33Z1015AIPN** f = 10-330mm F/1.5 VIDEO AUTO IRIS With Preset

### SPECIFICATIONS

MODEL NUMBER	<b>TM33Z1015AI / TM33Z1015AIPN</b>	
IMAGE FORMAT	1/2inch	
FOCAL LENGTH	10-330mm	
MAXIMUM APERTURE	F1 : 1.5	
APERTURE RANGE	F1:1.5 - 560	
M.O.D.	2.9m	
ANGLE OF VIEW ( ) = 1/3"	HORIZONTAL	W34.99° - T1.34° (W26.44° - T0.85°)
	VERTICAL	W26.44° - T0.85° (W19.91° - T0.64°)
FILTER SIZE	M105mm, P=1.0	
DIMENSIONS	W122 x H125 x L260.5	
WEIGHT	2.9Kg	
OPERATING TEMPERATURE	-20°C ~ 60°C	
MOUNT	C	

#### • VIDEO AUTO IRIS

INPUT VOLTAGE	DC+8 ~ +16V
CURRENT CONSUMPTION	30mA or Less
INPUT SIGNAL	VS or V Signal
IRIS ACCURACY	±15% at Video Signal Level
SENSITIVITY	0.5 ~ 1.0Vp-p
RESPONSE SPEED	Approx. 4 Sec.
LEVEL REMOTE CONTROL	1.0 ~ 5.5V (#1)

#### • FOCUS

INPUT VOLTAGE	DC+6 ~ +12V
CURRENT CONSUMPTION	50mA or Less
MOTORIZATION SPEED	9.5 Seconds (6V)

#### • ZOOM

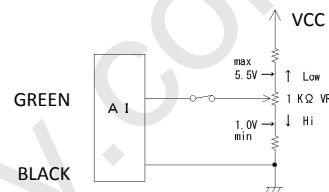
INPUT VOLTAGE	DC+6 ~ +12V
CURRENT CONSUMPTION	60mA or Less
MOTORIZATION SPEED	5 Seconds (6V)

### CABLE CONNECTIONS

#### • VIDEO AUTO IRIS (4-Wire shield cable)

CABLE COLOR	CONNECTION
Red	Power (DC8V~16V)
White	VS or V Signal
Green	Level Remote (#1)
Black	GND

#### #1 Wiring details for auto iris level remote



#### • FOCUS

CABLE COLOR	POLARITY	DIRECTION
Black	+ (-)	Inf. (Near)
Red	- (+)	

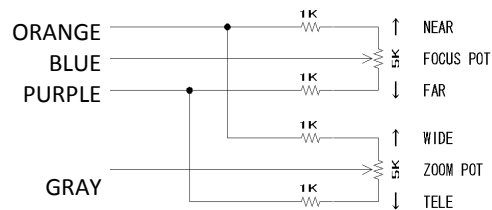
#### • ZOOM

CABLE COLOR	POLARITY	DIRECTION
Green	+ (-)	Wide (Tele)
White	- (+)	

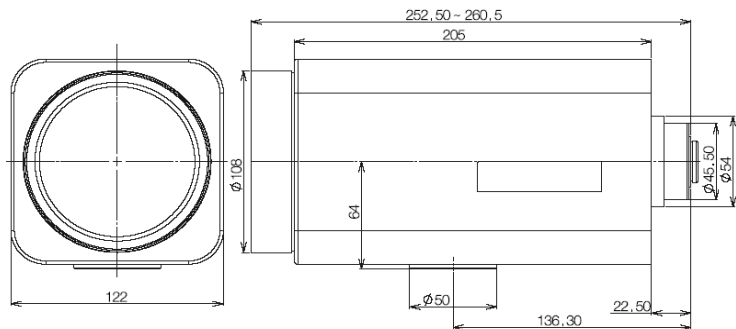
#### • POTENTIOMETER-PRESET #2 (TM33Z1015AIPN Only)

CABLE COLOR	CONNECTION
Orange	Pot. Supply
Gray	Zoom Pot. Wiper
Purple	Pot. Return
Blue	Focus Pot Wiper

#### #2 Wiring details for potentiometer-preset



### APPEARANCE



\* Design and Specifications are subject to change without notice.

For design help, accessories or pricing, please contact:  
 sales@avsupply or call: 1-858-565-1101

# Tokina

## 33X SUPER-MOTORIZED ZOOM LENS

TM33Z1015N f = 10-330mm F/1.5 3-Motors  
 TM33Z1015NPN f = 10-330mm F/1.5 3-Motors With Preset

### SPECIFICATIONS

MODEL NUMBER	TM33Z1015N / TM33Z1015NPN		
IMAGE FORMAT	1/2inch		
FOCAL LENGTH	10-330mm		
MAXIMUM APERTURE	F1 : 1.5		
APERTURE RANGE	F1:1.5 - Close		
M.O.D.	2.9m		
ANGLE OF VIEW	HORIZONTAL	W34.99° - T1.13° (W26.44° - T0.85°)	
( ) = 1/3"	VERTICAL	W26.44° - T0.85° (W19.91° - T0.64°)	
FILTER SIZE	M105mm, P=1.0		
DIMENSIONS	W122 x H125 x L260.5		
WEIGHT	2.9Kg		
OPERATING TEMPERATURE	-20°C ~ 60°C		
MOUNT	C		

### Electrical

	IRIS	FOCUS	ZOOM
INPUT VOLTAGE	DC+6 ~ +12V	DC+6 ~ +12V	DC+6 ~ +12V
CURRENT CONSUMPTION	50mA or Less	50mA or Less	60mA or Less
MOTORIZATION SPEED	Approx. 3 Seconds (6V)	9.5 Seconds (6V)	5 Seconds (6V)

### CABLE CONNECTIONS

#### • IRIS

CABLE COLOR	POLARITY	DIRECTION
Brown	+ (-)	Close (Open)
Yellow	- (+)	

#### • FOCUS

CABLE COLOR	POLARITY	DIRECTION
Black	+ (-)	Inf. (Near)
Red	- (+)	

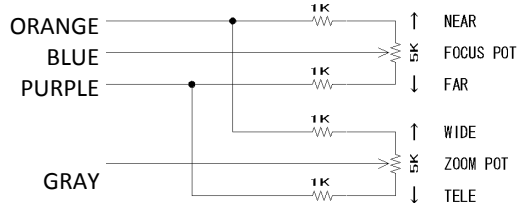
#### • ZOOM

CABLE COLOR	POLARITY	DIRECTION
Green	+ (-)	Wide (Tele)
White	- (+)	

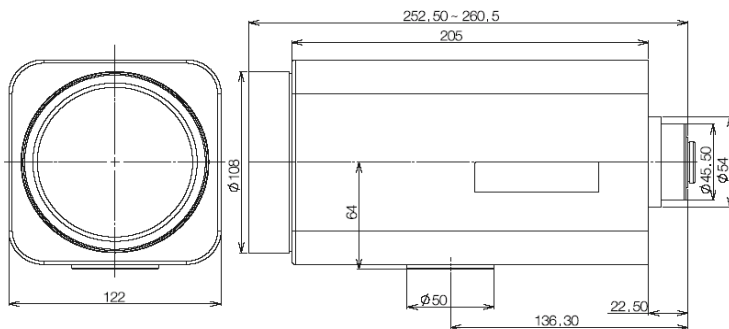
#### • POTENTIOMETER-PRESET (TM33Z1015NPN Only)

CABLE COLOR	CONNECTION
Orange	Pot. Supply
Gray	Zoom Pot. Wiper
Purple	Pot. Return
Blue	Focus Pot Wiper

Wiring details for potentiometer-preset



### APPEARANCE



\* Design and Specifications are subject to change without notice.

For design help, accessories or pricing, please contact:  
 sales@avsupply or call: 1-858-565-1101