

Tokina

VARIFOCAL LENS

DC Auto Iris / IR Corrected

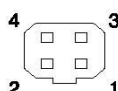
TVR2713DCIR $f = 2.7-12\text{mm}$ F1.3 DC Auto Iris -IR

SPECIFICATIONS

MODEL NUMBER		TVR2713DCIR
IMAGE FORMAT		1/3inch
MOUNT		CS
FOCAL LENGTH		2.7 - 12.0mm
MAXIMUM APERTURE		F1.3
APERTURE RANGE		F1.3 - 360
BACK FOCAL LENGTH		8.078mm
M.O.D.		0.2m
ANGLE OF VIEW	DIAGONAL	W122.71° ~ T29.39°
	HORIZONTAL	W98.66° ~ T23.56°
	VERTICAL	W74.11° ~ T17.69°
DIMENSIONS		ø37.5 x H45.4 x L61.8mm
WEIGHT		70g
OPERATING TEMPERATURE		-10°C - 45°C
WAVE LENGTH RANGE		430 - 950nm
CONTROLS	IRIS	Auto (DC Drive)
	FOCUS	Manual
	ZOOM	Manual

●DC AUTO IRIS

CABLE COLOR	CONNECTION	PIN No.
RED	DAMPING COIL-	1
BLACK	DAMPING COIL+	2
WHITE	DRIVING COIL+	3
GREEN	DRIVING COIL-	4

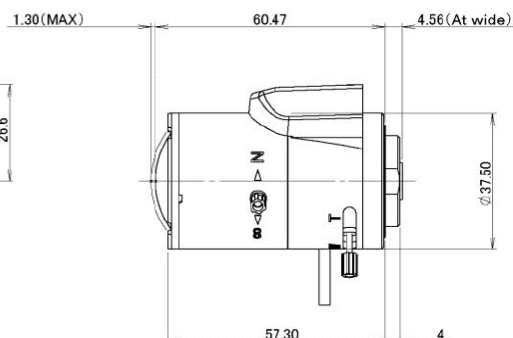
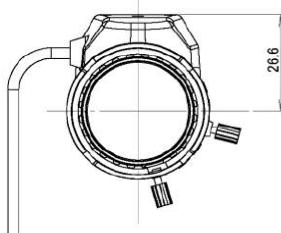


4 Pin Connector
JEITA E4-191J-100

Galvano meter coil resister

DRIVING COIL 190Ω±10% (20°C)

DAMPING COIL 190Ω±10% (20°C)



DESIGN AND SPECIFICATIONS ARE SUBJECT TO CHANGE WITHOUT NOTICE

Distributed By: Audio Video Supply -- Tel: 1-800-284-2288 -- www.avsupply.com

For design help, accessories or pricing, please contact:
sales@avsupply or call: 1-858-565-1101

