

TVR3113HDDCIR f=3.1-9mm F/1.3 IR 3 Megapixel for 1/2.7inch

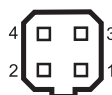
● SPECIFICATIONS

| | | |
|--------------------------------------|-----------------------------|--------------|
| MODEL NUMBER | TVR3113HDDCIR | |
| IMAGE FORMAT | 1/2.7inch (5.85x3.27 Φ6.71) | |
| FOCAL LENGTH | 3.1-9mm | |
| MAXIMUM APERTURE | F1:1.3 | |
| APERTURE RANGE | F1.3-360 | |
| M.O.D. | 0.5m | |
| ANGLE OF VIEW (at 1/2.7inch 16:9) | HORIZONTAL | 111.4°-38.6° |
| | VERTICAL | 60.1°-21.6° |
| FILTER SIZE | NON | |
| DIMENSIONS | 36.5x47.1x48.7mm | |
| WEIGHT | 55.5g | |
| OPERATING TEMPERATURE | -20°C -+50°C | |
| MOUNT | CS-mount | |
| IRIS | AUTO (DC-IRIS) | |
| FOCUS | MANUAL | |
| ZOOM | MANUAL | |

● CABLE CONNECTIONS

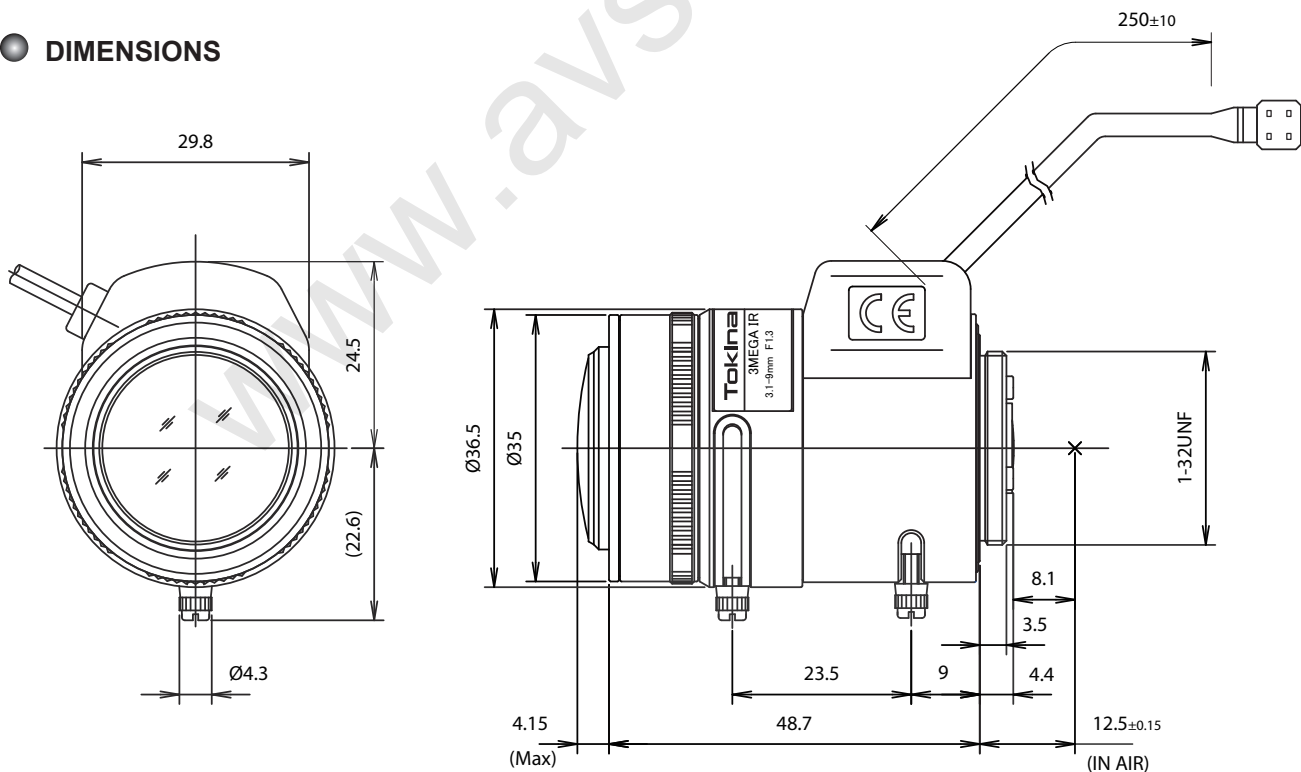
DC AUTO IRIS

| PIN NO. | CONNECTION |
|---------|----------------|
| 1 | DAMPING COIL - |
| 2 | DAMPING COIL + |
| 3 | DRIVING COIL + |
| 4 | DRIVING COIL - |



DC-IRIS Lens Connector

● DIMENSIONS



Design and Sp

For design help, accessories or pricing, please contact:
sales@avsupply or call: 1-858-565-1101

AUDIOVIDEO SUPPLY

1-800-284-2288 sales@avsupply.com
www.avsupply.com