



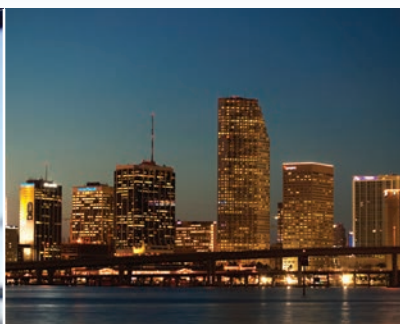
Freedom Dome

Modular All Weather Dome Enclosure

The Freedom Dome is a ruggedized dome enclosure with space for peripheral equipment. The Freedom Dome has been engineered to compliment a variety of Moog IP Ready camera housings. Customize this enclosure to fit your needs, create your complete system while gaining an impressive city-wide surveillance solution. It's the perfect solution for difficult-to-wire, rapid deployment or isolated applications. With the Freedom Dome, you will save on costly installation while benefitting from the freedom and the flexibility the unit provides.

Features

- Support for a wide range of PTZ and fixed IP cameras
- Simple installation
- Wall / Pole mounting adapters are optional
- One power input (120 / 240Vac) powers the camera, heater / blower, and peripheral hardware
- RFI Line filter offers clean power; reducing the chance of downtime



Freedom Dome

Freedom Dome:

LDW75C2N

Ruggedized dome enclosure with space for peripheral equipment. 110 / 220VAC input. Moog designed the Freedom Dome to work with IP Ready Series of IP camera housings

Perfect For:

- Network attached storage devices
- Wireless routers (WiFi, 3G, 4G)
- Relocatable camera deployments
- Fiber optic equipment
- High / low temperature environments

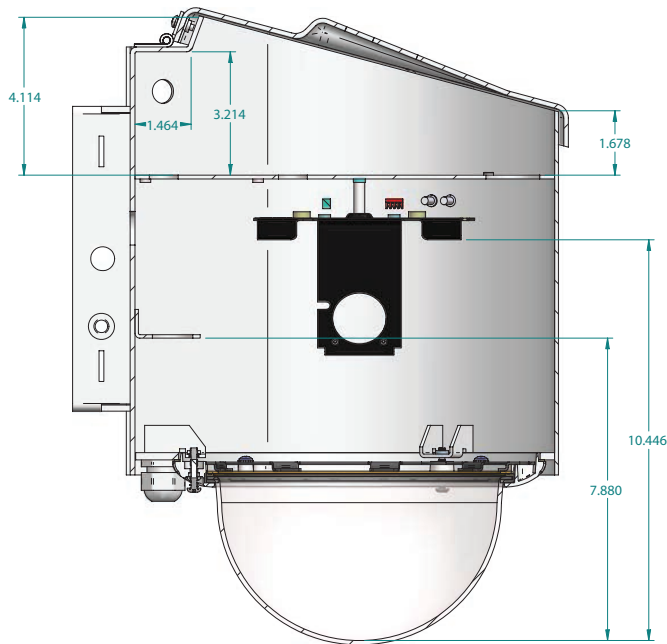
Electrical Specifications

Power Requirements:	90 watts
Input:	110 / 220Vac
Output:	24Vac

Mechanical Specifications

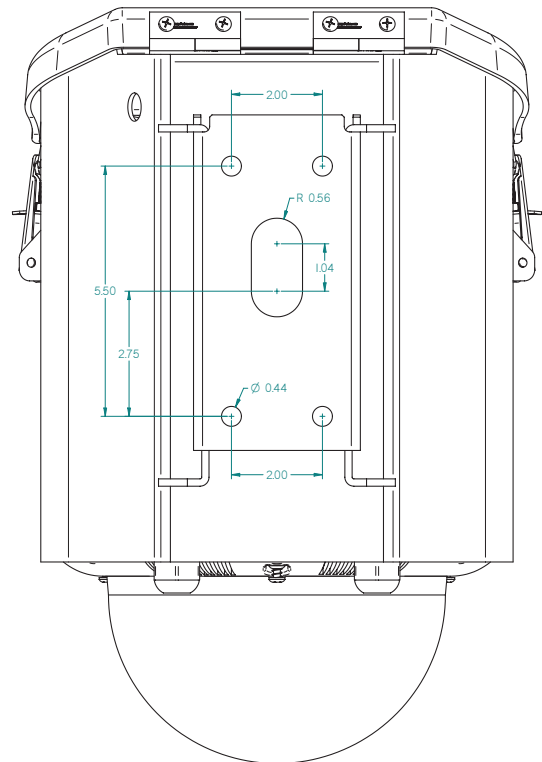
Size: (H x W x D)	9.863" x 4.048" x 14.32" (250.5 x 102.8 x 363.7mm)
Weight:	19 Lbs. (8.6 Kg)
Construction BACK BOX:	Aluminum

Dimensions / Architectural Drawings



Dimensions are in inches

Mounting Hole Patterns



Dimensions are in inches

MOOG

Sensor and Surveillance Systems

3650 Woodhead Drive Northbrook, IL, USA 60062

+1.847.498.0700 Fax: +1.847.498.1258 www.moogS3.com