



MR7T

Recessed Ceiling Mount Dome

Moog MR7 is a low-profile, indoor, recessed, ceiling mount dome housing. It features a 7" (177.8mm) dome that accommodates standard-body fixed cameras up to 8" (203.2mm) in length or PTZ cameras (see compatibility chart). For fixed models, an opaque liner hides the direction of the camera in both the clear and tinted domes. The upper body is made of steel, and a white powder coat trim ring gives the MR7 a clean, streamlined look.

Features

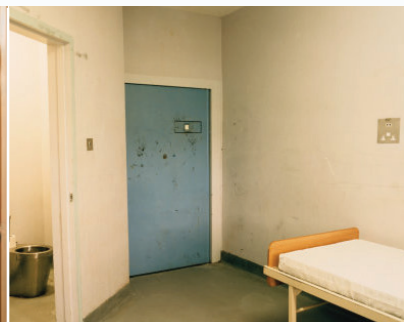
- 7" (177.8mm) dome for easy installation and servicing from below the ceiling
- Housing extends only 3.5" (88.9mm) below ceiling
- Camera can be mounted on either side of the fixed mount camera bracket
- Includes a decorative trim ring with quick-release pressure springs
- Plenum rated for non-fire resistant ceilings
- Units available with either clear or tinted domes
- **UL File Number: E106941 & E306312**

FIXED

- Accepts standard body fixed camera and lens [up to 8" (203.2mm) in length]
- Includes black liner with pre-cut viewing window

PTZ

- Accepts many network PTZ cameras, see chart



MR7T

Tinted and Clear domes available specify "C" for Clear or "T" for Tinted.

Fixed:

MR7TL

7" (177.8mm) recessed ceiling mount dome housing, tinted dome, plus (1) fixed camera bracket, and decorative trim ring, includes liner; MCL 8" (Maximum Camera Length 203.2mm)

IP Network PTZ:

MR7TN

IP network ready 7" (177.8mm) recessed ceiling mount dome housing, tinted dome, for an IP network PTZ camera, includes trim ring

Architectural / Engineering Specifications:

The recessed ceiling mount housing is a Moog model MR7 or equivalent. The back box is constructed with 18-and 20-gauge steel and is capable of being installed in its entirety from below the ceiling. The steel top measures 5.5" (139.7mm) (h) x 11" (279.4mm) (d). The lower polycarbonate dome is high clarity, injection molded polycarbonate (1 F-stop light reduction for tinted lower dome). An opaque liner with pre-cut viewing window hides the direction of the camera in both the clear and tinted domes. The lower dome is held in place by a 19-gauge steel trim ring (white powder coat finish). The MR7 is designed for installation in either sheetrock or drop ceilings. Three rotating support arms allow for adjustment to the ceiling material thickness.

Compatible Cameras:

To view the latest compatible cameras please visit:

www.moogs3.com/technical-support/tools-software/camera-compatibility-tool/

PTZ:

ACTI ACM-8201/8211, ACM-8511, CAM-6510

AXIS 213, 214, 215, 231D, 232D, 233D

Canon VB-C300, VB-C50i, VB-C60, VC-C50i

D-Link dcs 5000 Series, dcs 6600 Series

ELMO PTC-200C, PTC-400C, PTC-401C IP

TOSHIBA IK-WB21A

iCANTEK iCanView 250/252

JVC VN-C625U, VN-V685U, VN-V686BU, VN-V686U

Panasonic BB-HCE381A, BB-HCE481A, BB-HCE580A, BB-HCE581A, BB-HCE581A-W, WV-NS202A

SONY SNC-ER/EP, SNC-RH124, SNC-RS44/46, SNC-RX530/550/570, SNC-RZ25, SNC-RZ30, SNC-RZ50

Mechanical Specifications

Size: (h*w*d):	9" x 11" x 12.25" (230 x 280 x 312mm)	
Weight:	10 Lbs. (4.6 Kg.)	
Construction	BACK BOX:	18-and 20-Gauge Steel
	TRIM RING:	19-Gauge Steel
	DOME:	OptiClear™ Polycarbonate
	BODY:	Steel

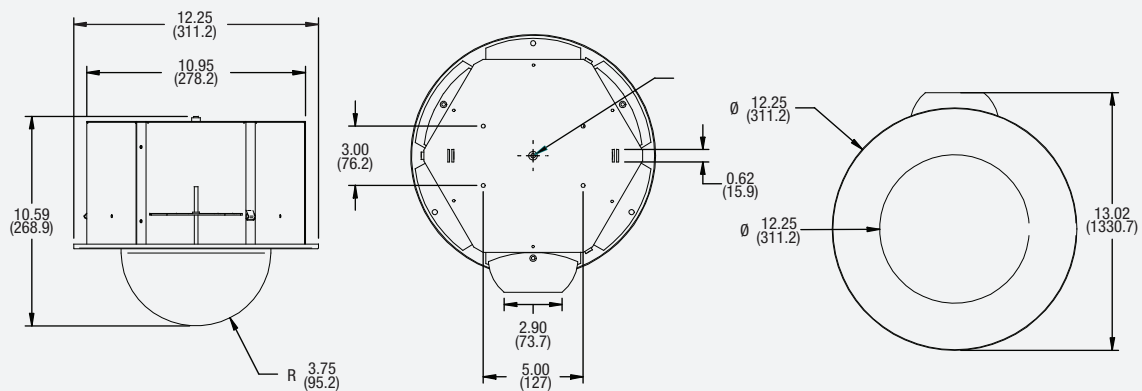
Environmental Specifications

Operating Temperature:	32°F to 120°F (0°C to 49°C)
------------------------	-----------------------------

Shipping Specifications

Model	Shipping Weight	Box Dimensions
MR7T	10 Lbs. (4.6 Kg.)	15 x 15 x 12" (381 x 381 x 305mm)

Dimensions / Architectural Drawings



Regulatory and Certifications



UL



cUL

MOOG

Sensor and Surveillance Systems

3650 Woodhead Drive Northbrook, IL, USA 60062

+1.847.498.0700 Fax: +1.847.498.1258 www.moogS3.com