



OH081

ObservaDome™ Recessed Housing

The OH081 is a general purpose, compact 8" ceiling mount dome for fixed cameras. The white body and dome is a seamless one piece construction designed to replace a 2' x 2' ceiling tile.

Key Features

- Available clear or tinted (1 F-stop light reduction)
- Low profile; dome extends only 4" below ceiling line
- MCL - 8" (Maximum Camera Length)
- Adjustable camera bracket included
- One piece integral construction
- Cell-cast acrylic tinted dome
- Replaces a 2' x 2' ceiling tile





Drop Ceiling Mount:

OH081TL

Tinted 8" drop ceiling dome for 2' x 2' tile. Low profile, dome extends only 4" below the ceiling. A one piece integral construction includes one fixed camera bracket and liner. MCL 8"

OH081CL

Clear 8" drop ceiling dome for 2' x 2' tile. Low profile, dome extends only 4" below the ceiling. A one piece integral construction, that includes one fixed camera bracket and liner. MCL 8"

OH081D

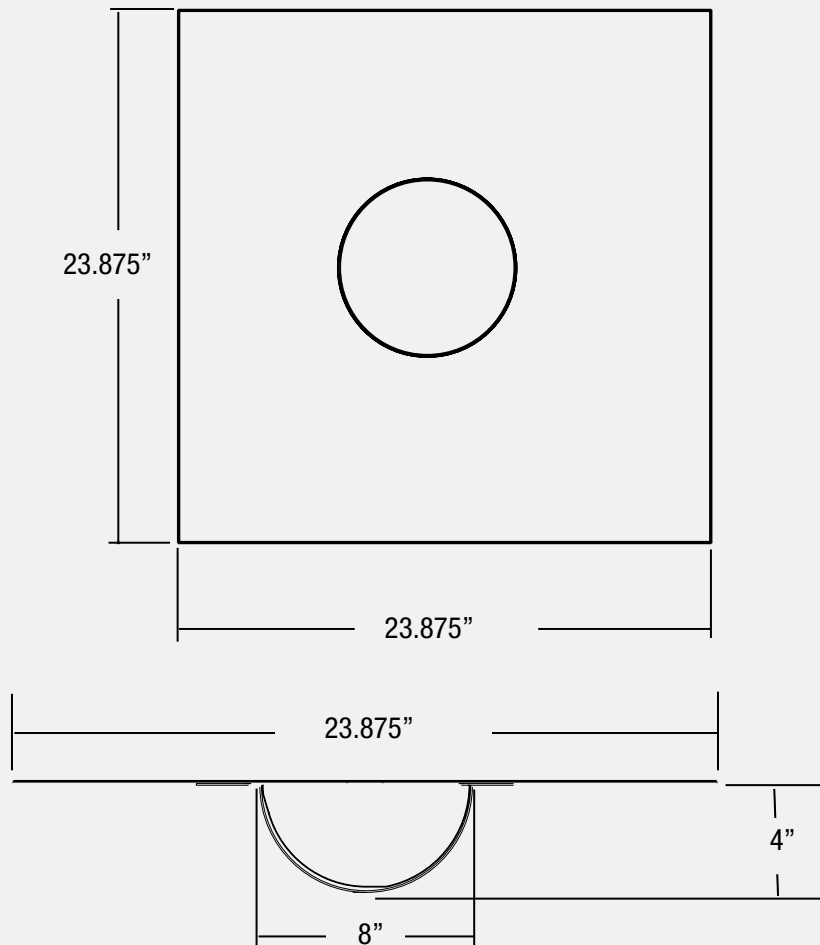
8" drop ceiling dummy dome

SPECIFICATIONS:

Engineering Specifications

OH081:	The ceiling mount dome housing shall be formed from cell-cast acrylic and be designed to replace a 2' x 2' ceiling tile. The dome shall be either clear or tinted, the tinted allowing 1 F stop light reduction, and shall be 8". The body shall be white. The unit shall feature one piece integral construction. An adjustable fixed camera bracket shall be included, and the maximum camera length shall be 8".
---------------	---

Architectural Drawings



Dimensions are in inches