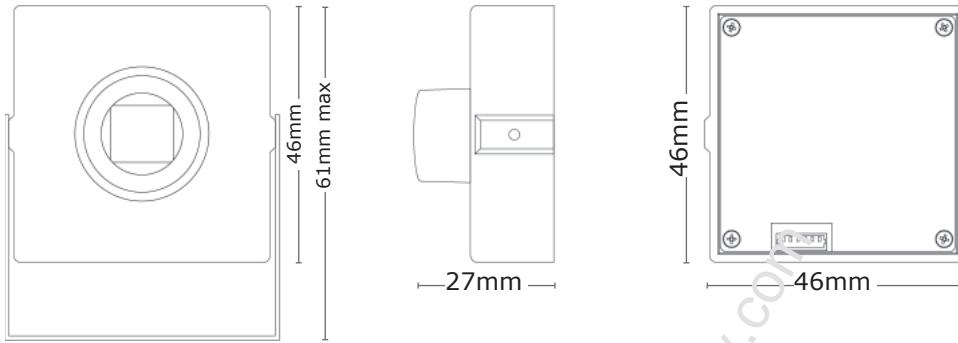


Product Features

- 1/2.8" Sony Exmor mega pixel image sensor
- Digital Noise Reduction (DNR) 2D, 3D
- Digital Wide Dynamic Range (DWDR), Back Light Compensation (BLC)
- Motion detection max 4 areas
- Privacy Function 8 Programmable Zones
- SD memory slot
- PoE support IEEE802.3af class 0
- ONVIF conformance support



Technical Specifications

Electrical	24C723IP
Image Sensor	1/2.8" Sony Exmor 2.3 MegaPixel
Effective Pixels (H x V)	1920 x 1080, 2.07 Mega Pixels
Max. Frame rate	Up to 30fps@1920 x 1080p
Resolution	1920x1080 (Full-HD), 1280x1024(SXGA), 1280x720(HD), 704x480(4CIF/NT), 704x576(4CIF/PAL), 640x480(VGA), 352x288(CIF), 320x240(QVGA)
Streaming	Simultaneously H.264 & MJPEG (Triple Streaming) Independent Frame Rate and Bandwidth Control, VBR/CBR Mode
Video Compression Format	H.264(High, Main, Base line profile), MJPEG
S/N Ratio	51dB
Scanning System	Progressive Scan
Privacy Zone	On / Off (8 Area Selection)
Motion Detection	On / Off (4 Area Selection)
Day & Night	Automatic, Day, Night
DNR	2D-NR, 3D-NR
WDR	Digital WDR
High Speed Shutter	Automatic: Min. 1/135,000 sec-max. 1/60 sec Manual: Min. 1/10,000 sec ~ Max. 1/10 sec
Gain Control	Automatic: Min. 1.2dB ~ Max. 54dB Manual: Min. 1.2dB ~ Max. 54dB, Default 1.2dB
White Balance	ATW-Indoor/Outdoor, Shade, Clear sky, Fluorescent light, Light bulb, Flame, Manual
Language	English, Korea, Japanese, Russian
Digital Zoom	16x
Minimum Illumination	Color Mode: 0.15 lux at 50IRE/30fps BW Mode: 0.09 lux at 50IRE/30fps
Power Input	DC 12V ± 10% / 500mA
Power Consumption	DC 12V / 300mA

Environmental

Operating Temperature	-10°C ~ 50°C (14°F ~ 122°F)
Storage Temperature	-20°C ~ 60°C (04°F ~ 140°F)
Operating Humidity	Less than 90%

Mechanical

Dimensions W x H x D	46mm x 46mm x27mm (1.81" x 1.81" x 1.06")
Weight	400g (14 oz.)
Lens Type	M-12 board mount
Connectors	Ethernet Interface RJ-45 (10/100 BASE-T) PoE Support IEEE802.3af Class 0

Network/ IP Protocol

IP	IPv4
Protocol	TCP/IP, UDP, IPv4/v6, HTTP, HTTPS, FTP, UPnP, RTP, RTSP, RTCP, DHCP, ARP, Zeroconf
Streaming Method	RTP over RTSP, Unicast RTP, Multicast RTP
ONVIF Conformance Support	Ver2.4
DDNS Support	Yes
FTP Uploading	MJPEG Still Image
Event In	Onboot/Trigger/Network Loss/Tampering/Motion
Event Out Notification	E-mail, FTP
Login Authority	Administrator, Operator, Guest
Event Buffering (FTP)	Pre/Post Event Time: 0~30 sec, FPS: 1~2 fps
Manual Trigger	Still Image Capture
Security	Multi User Authority, IP Filtering, HTTPS
Network Time Sync.	Synchronize Computer/NTP Server, Manual
Software Reset	Restart, Reset, Factory Default
Auto Recovery	Backup, Restore
Max. User Connection	10 Users
SD Card	SDHC/ SDXC
SDK Support	API, ONVIF Profile S Compliant