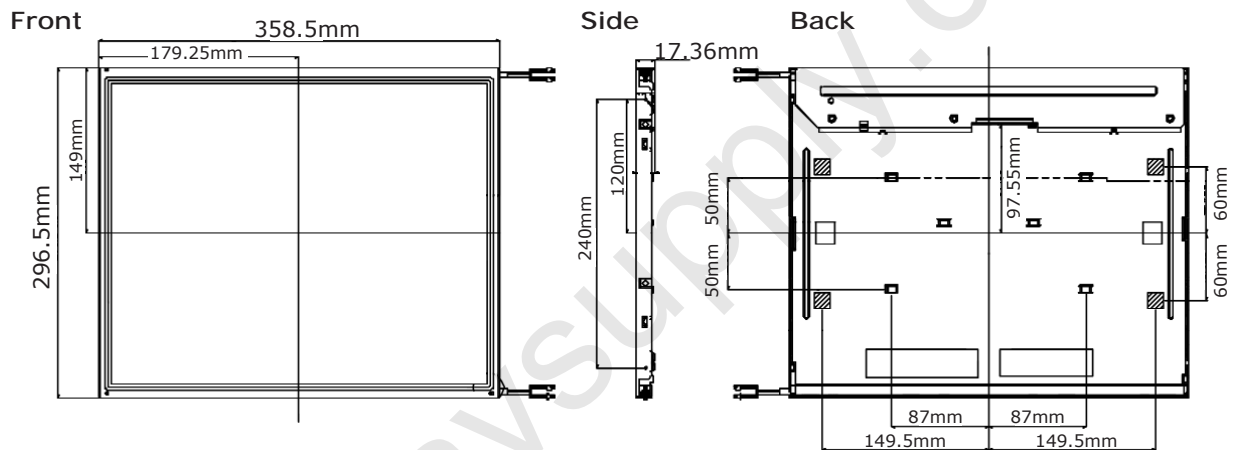




### Monitor Features

- NTSC / PAL Auto Selectable
- Ultra High Resolution (1280 x 1024 Pixels)
- 1 S-Video Input
- Auto Termination (75 Ohms)
- Easy OSD Menu User Interface
- Anti-Glare Panel



### Technical Specifications

#### Electrical

	45S17
Operating System	NTSC/ PAL/ XGA/ SXGA@60Hz / SVGA
Picture Size	17.25" diagonal
Resolution (H x V)	1280 x 1024 pixels
Active Area (W x H)	337mm x 270mm (13.4" x 10.7")
Aspect Ratio	4:3
LCD Type	TFT active matrix, R.G.B. Stripe
Dot Pitch (W x H)	0.264mm x 0.264mm
Brightness	300 cd/m <sup>2</sup>
Contrast Ratio	500:1
Response Time	12ms
Backlight	CCFL
Display Colors	16.2M
In/ Out Impedance	75 ohms/ auto termination
Input Signal	1 S-Video
Video Angle	Left 45°, Right 45°, Up 10°, Down 30°
Lamp Life-time	10,000hr min.
Power Source	12VDC +10% (ripple 0.5Vp-p max)
Power Consumption	5W (max)

#### Environmental

Operation Temperature	0° C ~ 50° C (32° F ~ 122° F)
Storage Temperature	-20° C ~ 60° C (-4° F ~ 140° F)
Operating Humidity	0% ~60% RH
Storage Humidity	0% ~60% RH

#### Mechanical

Dimensions W x H x D	358.5mm x 296.5mm x 17.36mm (14.11" x 11.64" x 0.68")
Weight	1.9kg (4.19 lbs)
External Controls	Contrast, Brightness, Color, Tint, Sharpness
Connectors	Video: 1CH BNC input/ output
Safety Standards	FCC, CE, UL

07/09/07 PDS-45S17 Rev B

All data subject to change without notice.

### Videology® Imaging Solutions, Inc.



37M Lark Industrial Parkway  
Greenville, Rhode Island 02828 USA  
Tel: (401) 949 - 5332 Fax: (401) 949 - 5276  
North/South American Sales: Sales@videologyinc.com

### Videology® Imaging Solutions, Europe B.V.

Neutonenlaan 4  
NL-5405 NH Uden, Netherlands  
Tel: +31 (0) 413 256261 Fax: +31 (0) 413 251712

For design help, accessories or pricing, please contact:  
sales@avsupply or call: 1-858-565-1101

