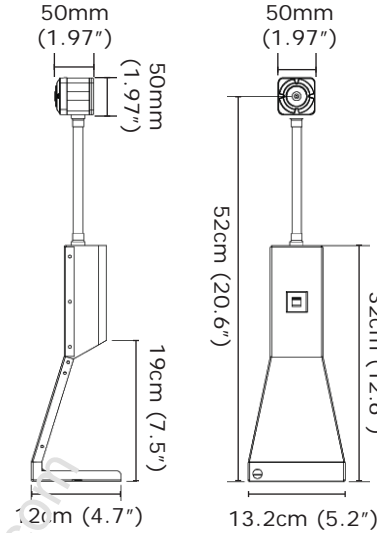


Product Features

- CCD sensor provides high sensitivity and quality
- Still image capture with streaming video
- Flexible gooseneck arm allows for easy camera control
- Small footprint saves table space
- Megapixel options are available
- USB 2.0 bus provides power and camera control
- Complete SDK available

Software

- USB 2.0 viewer software and Microsoft Digitally Certified WDM Device Drivers for 32bit and 64bit Windows operating systems
- DirectX/DirectShow compliant
- TWAIN compliant
- **Select Linux drivers available**



Included:
Integrated USB 2.0 cable (8.2ft. long)
Fixed 8mm f1.8 CS lens

Technical Specifications

Electrical	20K758USB-SYS-1	21K758USB-SYS-1
	NTSC	PAL
Image Sensor	1/3"	
Active Pixels (HxV)	768 x 494	752 x 582
Viewer Display	720 x 480 pixels max (USB 2.0, 30fps)	720 x 576 pixels max (USB 2.0, 30fps)
Sensitivity	< 0.5 Lux	
Signal To Noise Ratio	> 48 dB (AGC off)	
Gamma	0.45 default (1.0 via Software)	
Gain Control	Automatic 36 dB (AGC default) ± Fixed options via software	
Scan Mode	Interlaced / Non Interlaced (selectable via Software)	
Mirror Mode	Yes (horizontal/vertical)	
Synchronization	Internal	
Back light compensation	Default on (selectable via software)	
White Balance Mode	AWB auto white mode, Fixed modes selectable via software	
Contour Enhancement	Default on	
Iris Control	CCD Iris default	
Shutter Speeds	Automatic	
	14 fixed speeds via software	14 fixed speeds via software
	1/7.5 - 1/100,000	1/6.5 - 1/100,000
Control Communication	Camera control via USB bus	
Video Output	USB 2.0	
Power Supply	5VDC via USB bus	
Power Consumption	< 1.3 W	

Environmental

Operating Temp.	-15° C to + 55° C (5° F to + 131° F)
Operating Humidity	20% up to 93% RH
Storage Temp.	-25° C to + 70° C (-13° F to + 158° F)
Storage Humidity	Up to 98% RH

Mechanical

Dimensions (WxHxD)	13.2cm x 52cm x 12cm (5.2" x 20.6" x 4.7") (from center of camera to bottom of base)
Weight	2.1kg (4.8 lbs)
Included Cable	Integrated 8.2ft. USB 2.0 cable
Included Lens	Fixed 8mm f1.8 CS lens (30S0818L)

Software

<i>Viewer (included)</i> SFT-07019	<ul style="list-style-type: none"> • WDM device drivers • DirectX/DirectShow compliant • TWAIN compliant (requires driver installation)
<i>SDK (optional)</i> SFT-07019-SDK	Complete software development kit and support for OEMs

Recommended System Requirements

Hardware	Pentium IV	2.3GHz +, 1GB hard drive, Intel USB 2.0 Host controller
Software	Windows 7, 8, 10	32 bit and 64 bit
	Windows Vista	32 bit and 64 bit
	Windows XP	Service pack 2 +, DirectX 9.0c or above

Complementary Models

24C7.38USB-SYS	USB, High Resolution Color Camera for Photo Identity Systems
----------------	--

Standards

	RoHS
--	------