

EXHC000G

EXPLOSION-PROOF HOUSING FOR THERMAL CAMERAS

MAIN FEATURES

Solid anticorodal aluminium construction
 Epoxy polyester powder painting, RAL7032
 Germanium window
 IP66
 Housing supplied with heater. Sunshield as option

DESCRIPTION

The EXHC000G housing is made with strong Anticorodal aluminium die-cast alloy of AISi 7Mg EN - AB 42000 group.

The germanium viewing window is designed for Thermal Imaging Camera installations. Its composition with the remarkable properties covers transmission from 7.5 to 14µm IR range with the best optical quality. All external components are stove enamelled. Construction according to the 94/9/CE ATEX and GOST-R standards.

The cylindrical body of the housing (diameter 210mm and length 400mm) is closed on the opposite sides by two 12mm thick flanges. The Germanium window, 12mm thick, offers a viewing window of 114mm diameter. The housing is supplied with two holes for the 3/4" NPT cable glands. The camera housing is equipped with an internal housing heater and an optional sunshield.



EXHC000G + EXHS + EXWBJ



ATEX



ГБ05

TECHNICAL DATA

GENERAL

Non-corrosive die-cast aluminium (anticorrosive)
 Bicomponent polyurethane enamel with orange peel effect, RAL7032

MECHANICAL

- 2 inputs 3/4" NPT for cable glands
- External dimensions (Ø): 210x427.5mm (8.3x16.8in)
- Internal dimensions (Ø): 180x380mm (7.1x15in)
- Internal usable area: 100x100x280mm (3.9x3.9x11in)
- Unit weight: 15kg (33.5lb)
- Germanium window
 - Dimensions (Ø): 155mm (external), 114mm (4.5in) (internal)
 - Thick: 12mm
 - External scratch-resistant treatment: Hard Carbon Coating (DLC)
 - Internal antireflection treatment
 - Spectral range: 7.5µm ÷ 14µm

ELECTRICAL

- Power supply IN 24Vac, 50/60Hz
- Heater Ton 10°C±4°C (50°F±7°F) Toff 25°C±3°C (77°F±5°F)
 - IN 24Vac, consumption 20W max
- Devices to install inside the housing
 - Camera equipped with lens with max total power of 20W
 - Power supply max 24Vac or 230Vac
 - Useful volume for camera / lens: 2800cm³
 - Minimum distance between the walls of the housing and the camera/lens: 12mm

ENVIRONMENT

Indoor/Outdoor
 Operating temperature with heating: -20°C / +50°C (-4°F / +122°F)
 Always refer to the temperature in the marking.

CERTIFICATIONS

ATEX (EN 60079-0: 2009, EN 60079-1: 2007, EN 60079-31: 2009)
 • II 2G Ex d IIC T6 Gb
 • II 2D Ex t IIIC T85 °C Db IP66
 CE 0044: notify number from competent body

GOST-R

- 1 Ex d IIC T6 Gb
- Ex tb IIIC T85°C Db IP66

ACCESSORIES

EXHS000 Sunshield 650mm for EXH series

BRACKETS AND ADAPTORS

EXWBJ000 Bracket and ball joint RAL7032 for EXH series
 EXBJ000 Only ball joint for EXH RAL7032 housings

SPARE PARTS

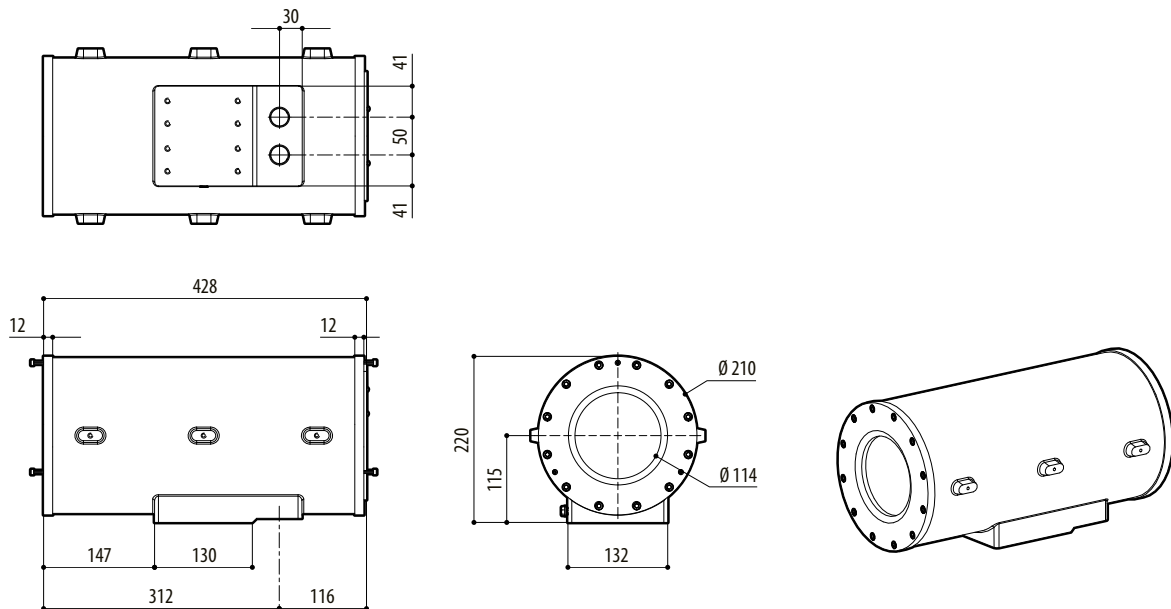
| | |
|-------------|---|
| OCTEX3/4C | Cable gland with gasket EX 3/4" NPT, unarmoured cable IECEX-ATEX-GOST |
| OCTEXA3/4C | Cable gland with gasket EX 3/4" NPT, armoured cable IECEX-ATEX-GOST |
| OCTEXB3/4C | Barrier cable gland 3/4" NPT, unarmoured cable IECEX-ATEX-GOST |
| OCTEXBA3/4C | Barrier cable gland 3/4" NPT, armoured cable IECEX-ATEX-GOST |
| OCTEX3/4 | Cable gland with gasket EX 3/4" NPT, unarmoured cable ATEX |
| OCTEXA3/4 | Cable gland with gasket EX 3/4" NPT, armoured cable ATEX |
| OEXPLUG3/5 | Plug EX 3/4" NPT IECEX, ATEX, GOST |

PACKAGE

| Model Number | Weight | Dimensions (WxHxL) | Master carton |
|------------------------------|----------------------|--------------------|---------------|
| EXHC000G (24x12.6x12.2in) | 17.5kg (38.6lb) - | | 61x32x31cm |

TECHNICAL DRAWINGS

Sizes in millimeters.



EXHC000G

| 3/4" NPT CABLE GLAND SELECTION LAYOUT | | | | | | | |
|---|------------------|-----------------|-------------------------------|-------------|------------------------|-------------------------------------|---------------------------------|
| Zone, Gas | Cable gland type | Certification | Operating temperature | Cable | Cable glands part code | Diameter of the external cable (mm) | Under armor cable diameter (mm) |
| IIC, Zone 1 or Zone 2 IIB or IIA, Zone 1 | Barrier | IECEX/ATEX/GOST | -60 / +80°C (-76°F / +176°F) | Not armored | OCTEXB3/4C | 13 - 20.2 | |
| | | | | Armored | OCTEXBA3/4C | 16.9 - 26 | |
| IIB or IIA, Zone 2 | With gasket | IECEX/ATEX/GOST | -60 / +100°C (-76°F / +212°F) | Not armored | OCTEX3/4C | 13 - 20.2 | |
| | | | | Armored | OCTEXA3/4C | 16.9 - 26 | 11.1 - 19.7 |
| | | ATEX | -20 / +80°C (-4°F / +176°F) | Not armored | OCTEX3/4 | 14 - 17 | |
| | | | | Armored | OCTEXA3/4 | 18 - 23 | 14 - 17 |

