

NXW

LIQUID-COOLED HOUSING

MAIN FEATURES

Made of AISI 316L electropolished stainless steel

Steel cylindrical chamber for internal circulation of cooling liquid linked to an external circuit

IP66/IP67

Standard air barrier

2 PG13,5 cable glands nickel-plated brass for external connections

Available accessories: camera power supply, air filtering group for glass cleaning, tempered glass (max 290°C (554°F)) quartz glass (max 400°C (752°F)) infrared glass (max 290°C (554°F))

DESCRIPTION

The solid construction of this housing makes it suitable for heavy duty applications, such as the surveillance of ovens, foundries and other high temperature environments.

The NXW housing is entirely constructed from electropolished stainless steel and consists of a body with a double chamber for the circulation of a cooling liquid or air. The NXW is enclosed by two thick flanges at either end and allows cables to pass through by means of two PG13.5 cable glands on the back flange. The front flange can be equipped with tempered glass or quartz glass for higher temperature.



NXW



NXW + NXFIGRU + NXWBS

AVAILABLE MODELS

AVAILABLE MODELS	
NXW0K1000	Liquid-cooled housing with air barrier (glass not included)
NXW0K1025	Liquid-cooled housing with air barrier and IR-proof glass

TECHNICAL DATA**GENERAL**

Constructed from electropolished stainless steel (austenitic alloy stainless steel, corrosion and heat resistant according to the following standards):

AISI 316L

UNI 6900-71: X 2 Cr Ni Mo 17 12 2

DIN 17006: X 2 Cr Ni Mo 17 13 2

N° werkstoff 1.4404

AFNOR: Z2 CND 17-12

BSI: 316S11

The screws utilised are in austenitic alloy stainless steel, corrosion and heat resistant according to the following standards:

- UNI 6900: X 5 Cr Ni Mo 1712
- AISI: 316
- ISO quality: A4
- Resistance class ISO: 80

UNI: Ente Nazionale Italiano di Unificazione, AISI: American Iron and Standard Institute, DIN: Deutsche Industrie Normen, AFNOR: Association Française de Normalisation, BSI: British Standard Institution, ISO: International Organization for Standardization.

MECHANICAL

Cable glands: 2xPG13.5 (nickel-plated brass for external connections)

2x1/2" GAS connectors for liquid input / output

1x1/4" GAS connector for air barrier input

External body polishing

Gaskets: O-ring

Flange thickness: 9mm (back)

Window dimensions: Internal Ø 95mm (3.7in), external Ø 116mm (4.6in)

Dimensions (ØxL): 154x375mm (6.1x14.8in)

Internal usable area (WxH): 78x78mm (3.1x 3.1in)

Internal usable length: 345mm (13.6 in)

Internal usable length (with power supply): 280mm (11in)

Unit weight: 10.2kg (22lb)

Tempered glass

- Thick: 6mm (0.2in)
- Operating temperature 260°C (500°F), thermal gradient 108°C (226°F)

Quartz glass

- Thick: 6mm (0.2in)
- Operating temperature: 400°C (752°F), thermal gradient 220°C (428°F)

IR-proof glass

- Thick: 6.6mm (0.3in)
- Operating temperature: 260°C (500°F), thermal gradient 108°C (226°F)
- IR radiation transmitted 21%

COOLING LIQUID

Application example with incoming water at 20°C (68°F) temperature:

- T environmental 200°C (392°F), water flow 2 l/min (0.5US gal/min), T housing internal 32°C (89.6°F)
- T environmental 300°C (572°F), water flow 2.2 l/min (0.6US gal/min), T housing internal 41°C (105.8°F)
- T environmental 400°C (752°F), water flow 6.5l/min (1.7US gal/min), T housing internal 44°C (111°F)

COOLING AIR

Application example with incoming air at 17°C(62°F) and an environmental temperature at 80°C(176°F)

- pressure 1 Bar -flow rate 10 m³/h, the internal temperature is about 45°C(113°F)
- pressure 2 Bar -flow rate 15 m³/h, the internal temperature is about 35°C(95°F)

AIR FILTERING

Pressure: 0.3-2.5 Bar, filter 0.1 micron

AIR BARRIER

Pressure: max 2.5 Bar

ELECTRICAL

Camera power supply

IN 230Vac - OUT 12Vdc, 50/60Hz, 400mA

IN 230Vac - OUT 24Vac, 50/60Hz, 400mA

ENVIRONMENT

Indoor/Outdoor

CERTIFICATIONS

CE EN61000-6-3, EN60065, EN50130-4

IP66/IP67 EN60529

ACCESSORIES

ONXWTG Tempered glass

ONXWQG Quartz glass

ONXAB1025B Air barrier with IR-proof glass included for NXM and NXW housings

NXFIGRU Filtering group for compressed air cleaning

OHEPS24 Camera power supply IN 230Vac - OUT 12Vdc, 10VA/5W, for NXW, NTW housings

OHEPS25 Camera power supply IN 230Vac - OUT 24Vac, 10VA, for NXW, NTW housings

BRACKETS AND ADAPTORS

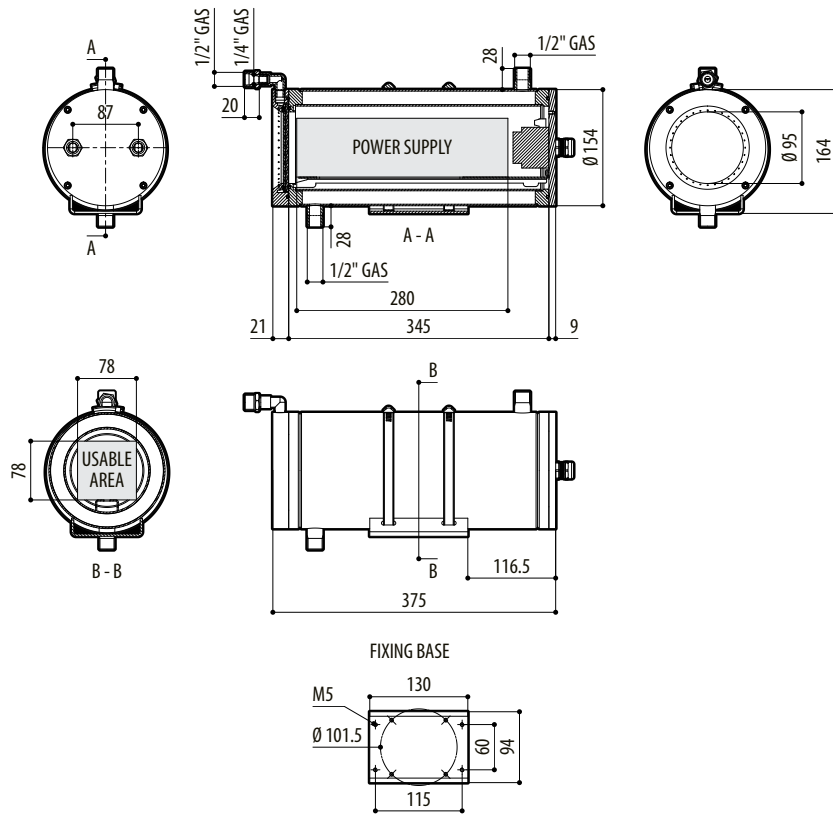
NXWBS1 Stainless steel wall bracket with joint

PACKAGE

Model Number	Weight	Dimensions (WxHxL)	Master carton
NXW0K1000	10.8kg (23.8lb)		24.3x24.2x49.5cm
(9.6x9.5x19.5in)	-		

TECHNICAL DRAWINGS

Sizes in millimeters.



NXW

