

ULISSE

OUTDOOR PTZ CAMERAS AND UNITS FOR HIGHEST PRECISION DAY/NIGHT MONITORING



MAIN FEATURES

Variable speed: 0.02°-100°/s Pan; 0.02°-40°/s Tilt
 Variable speed with UPTIRN LED illuminators: Pan 0.02°-40°/s - Tilt 0.02°-30°/s
 Horizontal continuous rotation, vertical +90°/-40°
 Housing for compact lenses
 IP66
 Autopan, Preset, Patrol
 Position accuracy: 0.02°
 Up to 250 Presets
 Operating temperature: -20°C / +60°C (-4°F / +140°F)
 Power supply available 230Vac, 24Vac or 120Vac

OPTIONS:

Day/Night SONY 36x, 28x cameras
 IP based control, MPEG4, 25fps, Full D1 (compatible with Milestone XProtect Suite and ONVIF protocol)
 Prearrangement for mounting of two UPTIRN LED illuminators
 Germanium window for thermal cameras
 Cold pack for low temperature down to -30°C (-22°F)
 Wiper

DESCRIPTION

ULISSE ensures maximum surveillance coverage in all outdoor environments, even the most difficult. It can operate 24 hours a day in demanding security applications, without requiring maintenance work.
 This model can contain cameras with compact lenses.
 The accurate top-mount construction ensures vision beyond the horizon and the continuous rotation on the horizontal axis, combining high speed to absolute tracking accuracy, both in manual mode and in patrol mode.
 The versions with the integrated Sony camera ensure excellent image quality, even in poorly lit environments.
 To ensure detailed images even during the night hours, versions are available with LED illuminators, with infrared light or white light.
 The IP-based versions can be integrated into a network system, with network control of all PTZ functions.
 The unit can be equipped with a wiper for removing rain and dust from the front glass; there is a wide selection of jerry cans with washer pump, different capacities and heads.
 Optimal operation is ensured in very hot environments up to 60°C or in very cold environments up to -30°, thanks to optional enhanced heating.
 Models are available for vision with a thermal camera.



ULISSE



ULISSE + 2 UPTIRN



ULISSE FOR THERMAL CAMERAS

TECHNICAL DATA**GENERAL**

Built in aluminium and ABS
 Epoxypolyester powder painting, RAL9002 colour
 Top mount (OTT)
 Transmission through toothed belt
 Slip-ring
 Electronic limit switches
 Plug installation thanks to connector and easy replacement on-site
 Zero backlash
 Configuration of telemetry protocol parameters through dip-switch for RS485

MECHANICAL

Cable glands: 3xM16
 Horizontal rotation: continuous
 Vertical rotation: +90° to -40°
 Horizontal speed (variable): from 0.02°/s up to 100°/s (from 0.02°/s up to 40°/s, with LED illuminators)
 Tilt speed (variable): from 0.02°/s up to 40°/s (from 0.02°/s up to 30°/s, with LED illuminators)
 Internal usable area: See drawings
 Enclosure glass window (WxH): 118x75mm (4.6x2.7in)
 Preset accuracy: 0.02°
 Unit weight: 16.3kg (36lb) (16.8kg (37lb), with LED illuminators bracket)
 ULISSE, for thermal cameras:
 Germanium window

- Dimensions (Ø): 70mm (2.8in) (external), 55mm (2.1in) (internal)
- Thick: 2mm (0.07in)
- External scratch-resistant treatment: Hard Carbon Coating (DLC)
- Internal antireflection treatment
- Spectral range: 7.5µm ÷ 14µm
- Medium transmittance (7.5µm ÷ 11.5µm): 94%
- Medium transmittance (11.5µm ÷ 14µm): 90%

ELECTRICAL

Input voltage:

- 230Vac, 50/60Hz, 100W
- 24Vac, 50/60Hz, 100W(150-190W max, with LED illuminators)
- 120Vac, 50/60Hz, 100W

 Current consumption:

- 230Vac, 0.4A
- 24Vac, 4A (8A, with LED illuminators)
- 120Vac, 0.8A

 Input cables size: AWG 16 (24Vac) - AWG 18 (120/230Vac)
 Dimensions of signal cables: AWG 20-26
 Housing standard heater: 24Vac, 20W max
 4 alarm inputs: 10-35Vdc (2 alarm inputs, with LED illuminators)
 2 dry contacts: 50Vdc max or 30Vac @1A (1 dry contact, with LED illuminators)
 Video line: coaxial cable (1Vpp, 750hm)
 Camera power supply: 12Vdc (800mA)
 Power supply to the lens: 6-15Vdc (200mA max)
 Zoom lens controller: polarity inversion and common wire
 Functions: Autopan, Preset, Patrol
 Maximum number of presets for protocol: 250 (VIDEOTEC MACRO)
 15 characters string for Area and Preset titling
 Configuration through OSD

COMMUNICATIONS

RS232 interface for PC control and firmware update
 2-ports RS485: daisy chain configuration or RS232
 Addressable through dip-switch up 255 units
 ULISSE, IP based control mode:

- Connection Ethernet port LAN 10/100 Base-T

PROTOCOLS

Configuration of telemetry protocol parameters through dip-switch
 AMERICAN DYNAMICS, PANASONIC, PELCO D, VIDEOTEC MACRO, VISTA
 AMERICAN DYNAMICS, PANASONIC, PELCO, VISTA are registered trademarks.

The product may be interfaced with devices not manufactured by VIDEOTEC. It is possible that the interface protocols have changed or are in a different configuration from earlier tested units by VIDEOTEC. VIDEOTEC recommends a test prior to installation. VIDEOTEC will not be liable for any installation costs or lost revenues in the event a compatibility problem will occur.

ULISSE, IP based control mode:

- Compression MPEG-4
- Image resolution: Full D1 (720x576), VGA (640x480), CIF (352x288), QCIF (176x144)
- Image frame rate max 25fps at Full D1
- Web Server

ENVIRONMENT

Indoor/Outdoor
 Operating temperature (with heater): -20°C (-4°F)/+60°C (140°F)
 Operating temperature (with reinforced heater): -30°C (-22°F)/+60°C (140°F)
 Wind resistance (without LED illuminators):

- Operational: up to 160km/h
- Stationary: up to 210km/h

 Resistant to salty fog (EN50130-5, EN60068-2-52)
 Surge immunity: up to 2kV line to line, up to 4kV line to earth (Class 4)

CERTIFICATIONS

CE EN60950-1, EN61000-6-3 and EN50130-4
 FCC Part 15, Class B
 IP66, EN60529
 cULus Listed, TYPE 4X (not for thermal cameras version and version with IP control mode)

ACCESSORIES

UPTIRN108A00	LED illuminator for ULISSE, 10°, 850nm, 24Vac - 12/24Vdc
UPTIRN308A00	LED illuminator for ULISSE, 30°, 850nm, 24Vac - 12/24Vdc
UPTIRN608A00	LED illuminator for ULISSE, 60°, 850nm, 24Vac - 12/24Vdc
UPTIRN109A00	LED illuminator for ULISSE, 10°, 940nm, 24Vac - 12/24Vdc
UPTIRN309A00	LED illuminator for ULISSE, 30°, 940nm, 24Vac - 12/24Vdc
UPTIRN10WA00	LED illuminator for ULISSE, 10°, white light, 24Vac - 12/24Vdc
UPTIRN30WA00	LED illuminator for ULISSE, 30°, white light, 24Vac - 12/24Vdc
UPTIRN60WA00	LED illuminator for ULISSE, 60°, white light, 24Vac - 12/24Vdc
UPTIRPS230	External power supply for ULISSE and ULISSE PLUS, prearranged for two LED illuminators, and control to synchronize IR illuminators with camera Day/Night switching, IN 230Vac, in weatherproof box. Twilight sensor included.
UPTIRPS120	External power supply for ULISSE and ULISSE PLUS, prearranged for two LED illuminators, and control to synchronize IR illuminators with camera Day/Night switching, IN 120Vac, in weatherproof box. Twilight sensor included.
UPTHT1	Cold pack for low temperature 24Vac, 30W
UPTHT2	Reinforced heater for block camera SONY 24Vac, 30W
UPTJBUL	Junction weatherproof box for cables connexion (according UL norm)

WASPT0V5L5M00	Water tank 5l, pump with delivery up to 5m (16ft), IN 230Vac-24Vac-120Vac
WASPT0V23L5M00	Water tank 23l, pump with delivery up to 5m (16ft), IN 230Vac-24Vac-120Vac
WASPT0V23L11M00	Water tank 23l, pump with delivery up to 11m (36ft), IN 230Vac-24Vac-120Vac
WASPT1V23L30M00	Water tank 23l, pump with delivery up to 30m (98ft) with water floating, IN 230Vac
WASPT3V23L30M00	Water tank 23l, pump with delivery up to 30m (98ft) with water floating, IN 120Vac

RELATED PRODUCTS

ALBERT	Encoder for video content analysis and smart system management
SM82A	Video matrix 8 inputs and 2 outputs
SM164B	Video matrix 16 inputs and 4 outputs
SM328B	Matrix 32 inputs and 8 outputs
DCJ	Keyboard for video and telemetry control
DCT	Video and telemetry touch-screen control keyboard
DCZ	Universal control keyboard for PC applications

BRACKETS AND ADAPTORS

UPTWBA	Wall bracket with internal cable channel
UPTWBTAB	Parapet bracket with internal cable channel
PTCC1	Pole mount adaptor
WCWGC	Corner mount adaptor

PACKAGE

Model Number	Weight	Dimensions (WxHxL)	Master carton
UPT1SVSA000E	19.5kg (43lb)	66x33x57cm (26x13x22in)	-
UPT2SVKA000E	20kg (44lb)	66x33x57cm (26x13x22in)	-
UPT1SVGA000E	19.5kg (43lb)	66x33x57cm (26x13x22in)	-

ULISSE - CONFIGURATION OPTIONS

	Voltage	Day/Night camera		Options		Video output	
UPT	1 230Vac	S Without Day/Night camera	V	S Without accessories	A	O Analog control	OOE
	2 24Vac	P Day/Night camera 36x optical zoom lens, PAL		W With wiper		X IP MPEG4 control	
	3 120Vac	Q Day/Night camera 28x optical zoom lens, PAL		K With brackets for UPTIRN (only 24Vac, illuminators not included)			
		N Day/Night camera 36x optical zoom lens, NTSC		J With wiper and brackets for UPTIRN (only 24Vac, illuminators not included)			
		M Day/Night camera 28x optical zoom lens, NTSC		G With germanium front window for thermal cameras applications			

Not all combinations are possible.

DAY/NIGHT CAMERA FEATURES				
	SONY Day/Night 36x		SONY Day/Night 28x High sensitivity	
	PAL	NTSC	PAL	NTSC
Optical zoom	36x		28x	
Wide Dynamic Range (Fix/Auto)	✓		-	
True progressive SCAN	✓		-	
Digital image stabilisation	✓		✓	
White balance	Auto, ATW, Indoor, Outdoor (Fix/Auto), Sodium Vapor Lamp (Fix/Auto)		Auto, ATW, Indoor, Outdoor (Fix/Auto), Sodium Vapor Lamp (Fix/Auto)	
High horizontal resolution	Up to 550 TV Lines		Up to 550 TV Lines	
Day/Night (Auto ICR)	✓		✓	
Image Sensor	1/4" EXView HAD CCD		1/4" Super HAD CCD II	
Number of effective Pixels	~ 440000 pixel	~ 380000 pixel	~ 440000 pixel	~ 380000 pixel
Min. Color illumination (IR-Cut Filter = OFF)	1.4Lux / 1/50s 0.1 Lux / 1/3s	1.4Lux / 1/60s 0.1 Lux / 1/4s	0.25Lux / 1/50s 0.16 Lux / 1/3s	0.25Lux / 1/60s 0.16 Lux / 1/4s
Min. B/W illumination	0.01 Lux / 1/3s	0.01 Lux / 1/4s	0.0015 Lux / 1/3s	0.0015 Lux / 1/4s
"Shutter Time" automatic increase to improve the night surveillance	✓		✓	
S/N ratio	Greater than 50dB		Greater than 50dB	
AE control	Automatic, Shutter priority, Diaphragm priority, Brightness priority and Manual		Automatic, Shutter priority, Diaphragm priority, Brightness priority and Manual	
Back light compensation	On/Off		On/Off	
Spherical masking (3D) of Privacy zones with automatic upgrade	✓		✓	
Privacy Zone Masking	On/Off (24 positions)		On/Off (24 positions)	
Maximum number of masking blocks to be displayed	8		8	
Resolution of masking blocks	160x120 HxV		160x120 HxV	
Masking	Up to 15 different masking types: 14 colour types or mosaic		Up to 15 different masking types: 14 colour types or mosaic	
Focusing system	Auto (Sensitivity: Normal, Low), Trigger PTZ, Manual		Auto (Sensitivity: Normal, Low), Trigger PTZ, Manual	
"Smart" lens control	SONY Modular Automatic Lens Reset Technology		SONY Modular Automatic Lens Reset Technology	
High Zoom and Wide Horizontal Field of View Capability	✓		✓	
Optical zoom	36x, f=3.4 (wide) to 122.4mm (tele) / F1.6 to F4.5		28x, f=3.5 (wide) to 98mm (tele) / F1.35 to F3.7	
Digital Zoom	12x (432x with optical zoom)		12x (336x with optical zoom)	
Angle of view (A)	57.8 degrees (wide) to 1.7 degrees (tele)		55.8 degrees (wide) to 2.1 degrees (tele)	
Minimum object distance	320mm (12.6in) (wide) to 1500mm (59.1in) (tele)		10mm (0.4in) (wide) to 1500mm (59.1in) (tele)	
Electronic Iris Speed	1/1 ÷ 1/10000s		1/1 ÷ 1/10000s	

DISTANCES IN NIGHT MODE WITH SONY 36X MODULE			
Application	Configuration ¹	Night Mode + ASS ²	HFOV ³ (ASS)
Far away subjects, perimeter control	UPTIRN108A00 + UPTIRN108A00	120m (393ft)	20m (66ft)
Nearby areas, parking lots, access control	UPTIRN308A00 + UPTIRN308A00	60m (197ft)	32m (105ft)
	UPTIRN608A00 + UPTIRN608A00	40m (131ft)	46m (151ft)
Mixed solutions	UPTIRN108A00 + UPTIRN308A00	105m (344ft)	18m (59.1ft)
	UPTIRN308A00 + UPTIRN608A00	50m (164ft)	26m (85ft)

SONY is a registered trademark of SONY Corporation, Japan. EXView HAD is a registered trademark of SONY Corporation.

¹ To ensure the performances, the two illuminators must be correctly aligned.

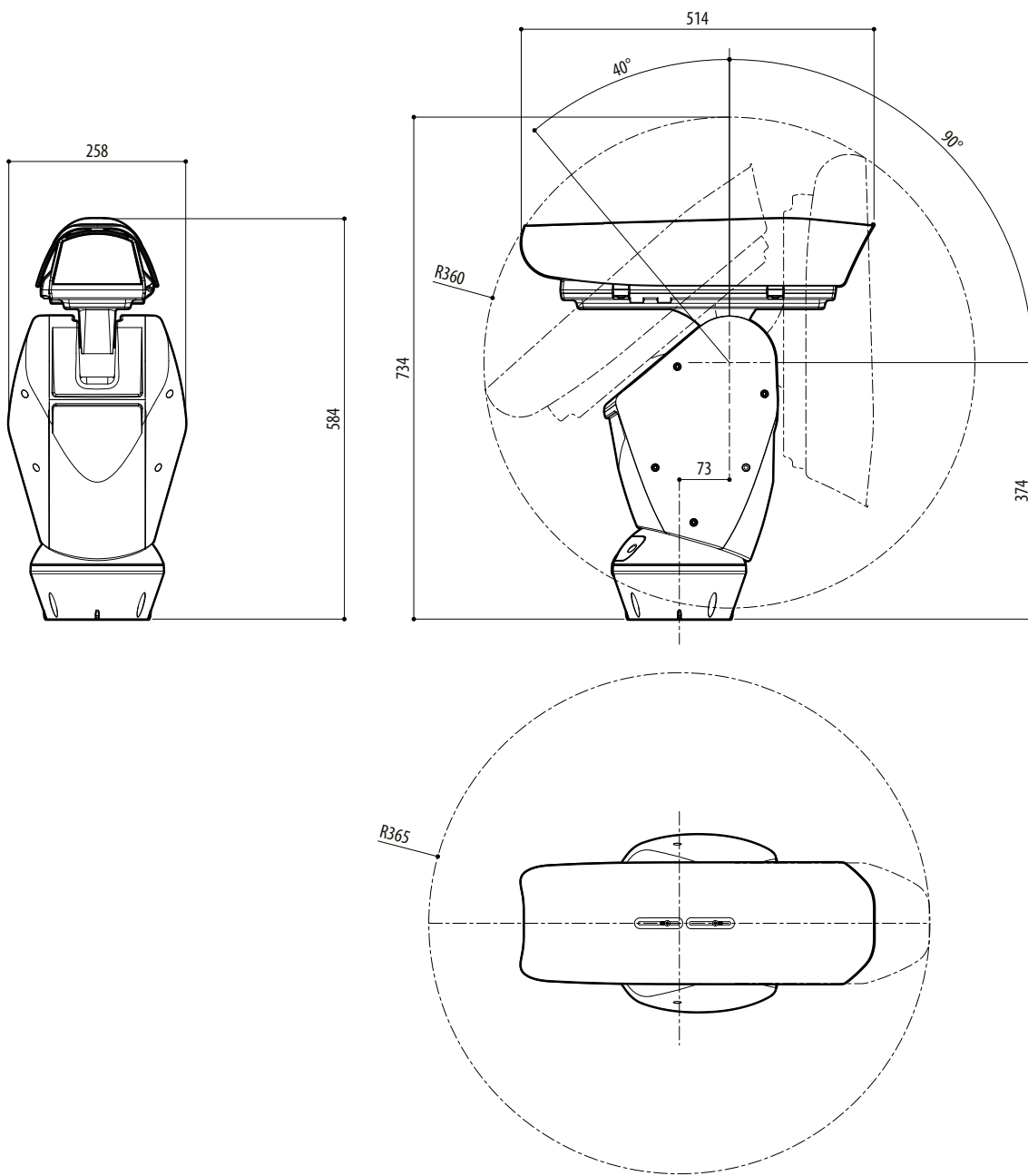
² ASS: auto slow shutter mode set

³ HFOV - Horizontal Field of View: width of the illuminated area at the maximum reachable distance.

The distances are in meters and refer to the displaying of images at night time which have enough quality to identify and classify an abnormal situation and the type of subject within the range of the pan & tilt unit. The distances also depend on the reflection coefficient of the surfaces present on the illuminated scene.

TECHNICAL DRAWINGS

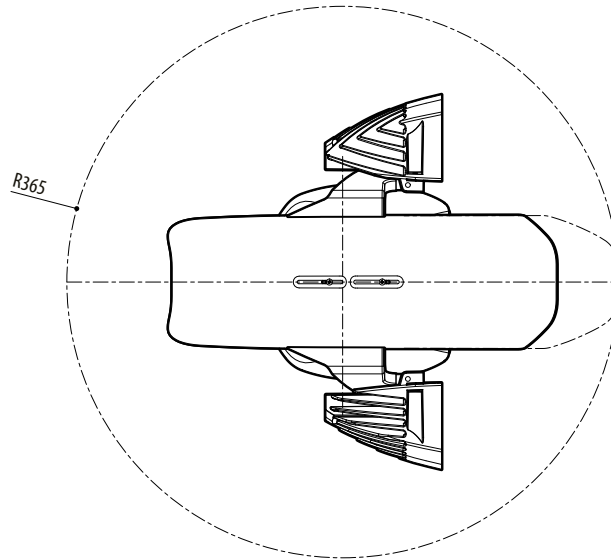
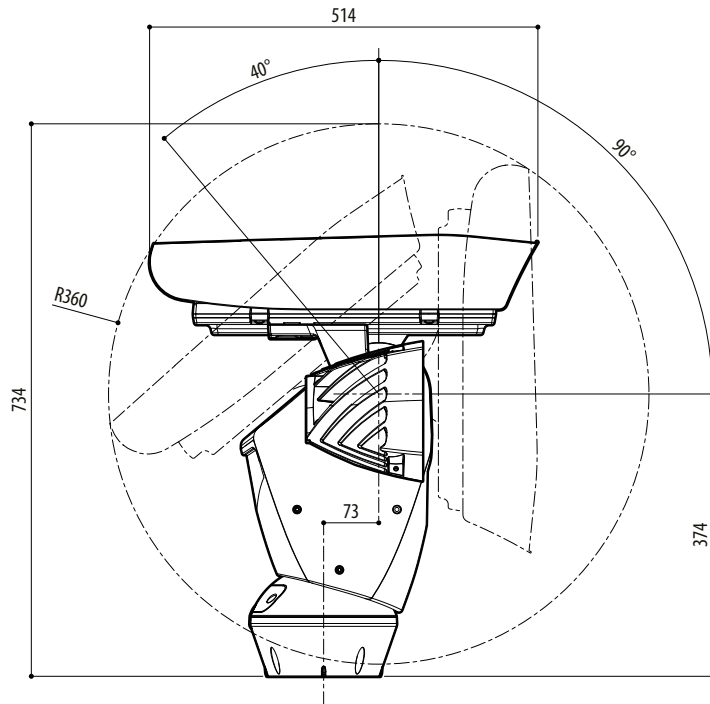
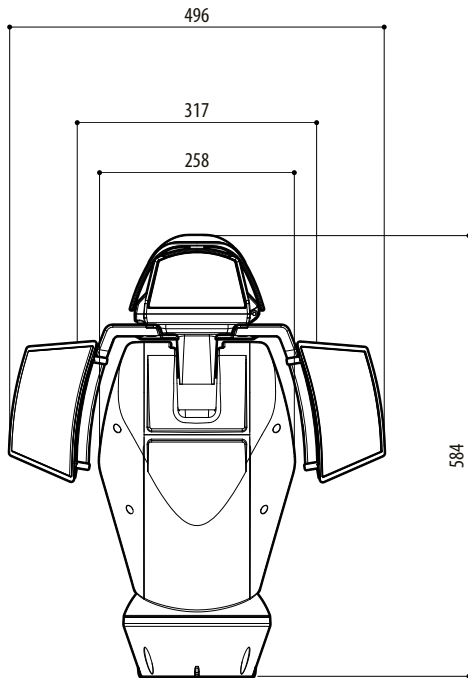
Sizes in millimeters.



ULISSE

TECHNICAL DRAWINGS

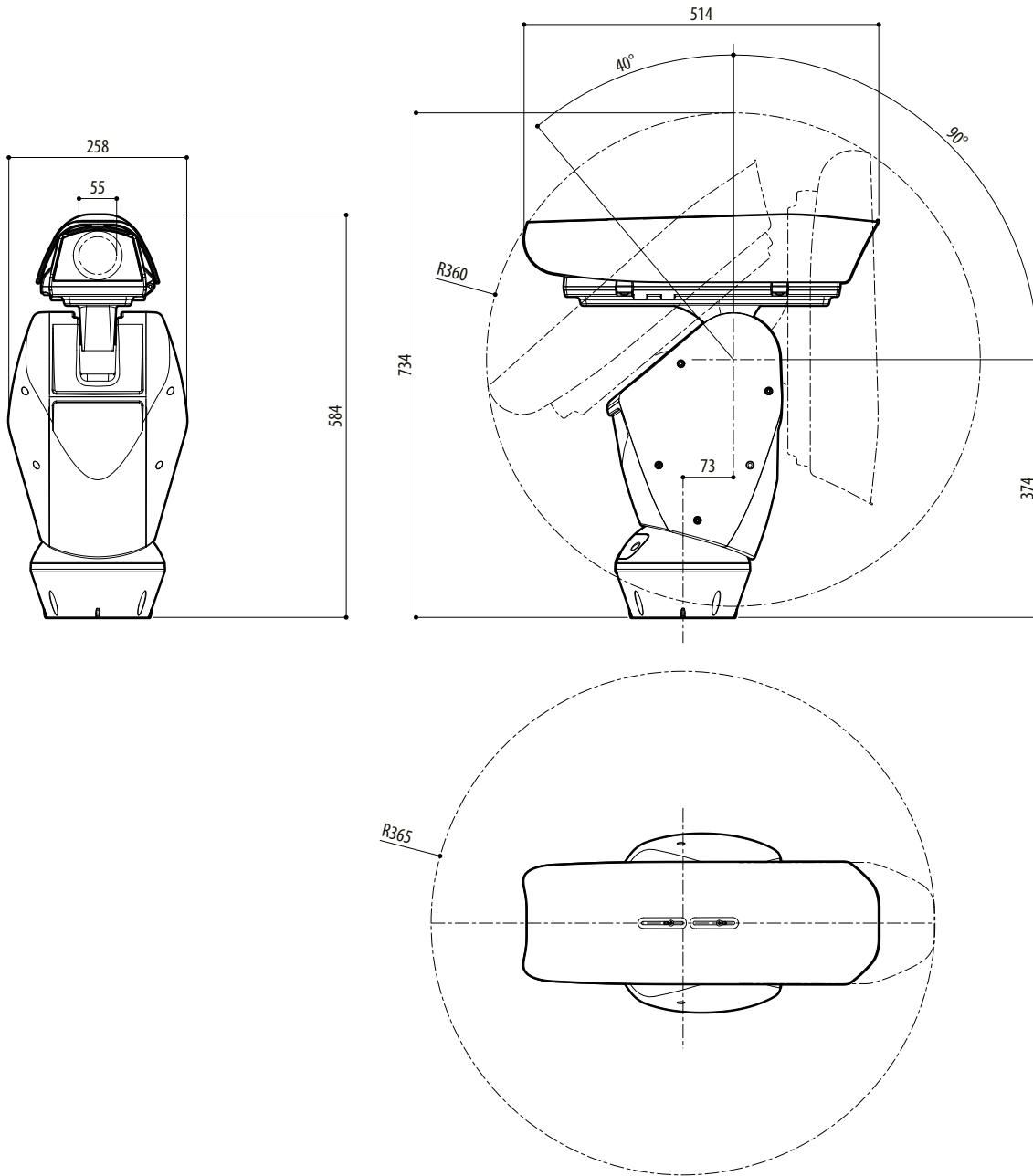
Sizes in millimeters.



ULISSE, PRE-ARRANGED VERSION FOR TWO LED ILLUMINATORS INSTALLATION

TECHNICAL DRAWINGS

Sizes in millimeters.



ULISSE, VERSION FOR THERMAL CAMERAS

