

VB1007M

Twisted Pair Video Balun

Features

- Quality video or PTZ signals over 1000* ft. (305 m) of unshielded twisted pair wires
- 3000 ft. (915 m) with Vigitron active receivers
- NTSC, PAL and SECAM video formats
- Support for "up-the-coax" type signals
- No power required
- 60 dB crosstalk and noise immunity
- Screw-less connector for quick installation
- Compatible with all qualified UTP cameras
- Limited lifetime warranty



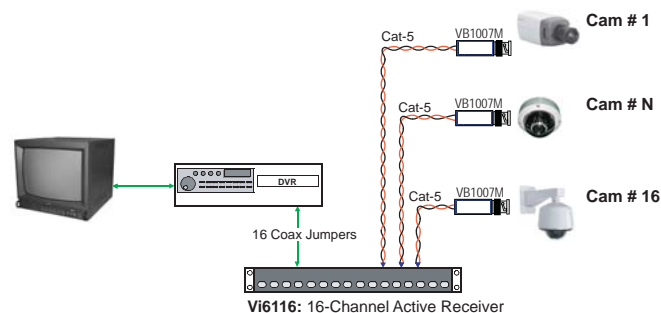
Applications

- Security and surveillance
- Elevator surveillance
- Casino security
- Hospitals and airports
- School campuses

The Vigitron VB1007M is a passive transmission device that transports video signals over unshielded twisted pair wires, point-to-point, for distances up to 1,000 ft. (305m)*. Distances up to 3,000 ft. (915 m) can be achieved when it is used with Vigitron active UTP receivers. It uses Category 2-7 twisted pair wires, is easy to install, cost effective, and does not require power. Its unique and compact design allows mounting directly to the video source or receiver without additional cabling. The VB1007M is compatible with all qualified cameras with a built-in twisted pair transmitter.

Its crosstalk and noise immunity ensure quality video signals. The VB1007M offers quality video in a compact size at an affordable price. It is ideal for a wide variety of security and surveillance applications.

Application Diagram



The smart choice for quality video



www.vigitron.com

DSVB1007M_0609

Technical Specification**

Electrical

Video Format	NTSC, PAL, SECAM
Frequency	DC to 10 MHz
Coax	75 Ohm
Twisted Pair	100 Ohms +/- 20%, 24 AWG minimum up to 1,000 ft. (305 m)* unshielded Category 2-7
Insertion Loss	0.3 dB
CMRR	60 dB
Power	No power required
Connectors	Video: Male BNC UTP: Screw-less connectors

Environmental

Humidity	0 to 95%, non-condensing
Temperature	Operating: -10°C to +50°C Storage: -30°C to +70°C

Mechanical

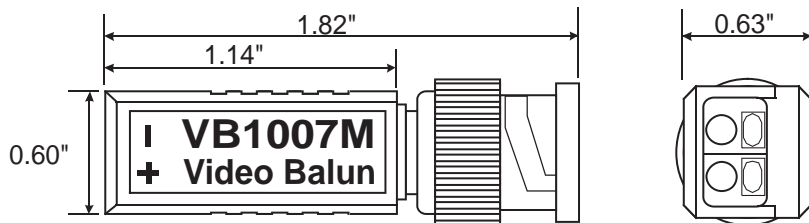
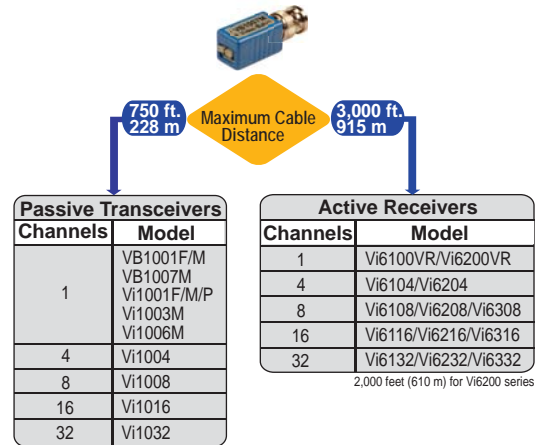
Dimensions	1.82x0.60x0.63 in., 4.7x1.5x1.6 cm
Weight	0.2 oz, 7 g
Material	ABS plastic, UL rating of 94V-0

*It is recommended not to exceed 750 feet (228 m) when using with digital equipment.
**Specifications are subject to change without notice.

Ordering Information

PART No.	Description
VB1007M	Video Balun w/ Female BNC

System Configuration



Wire and Cable Recommendations

The Vigitron products are designed to be used with unshielded twisted pair (UTP) wiring. The UTP wire must be 24AWG - 12AWG or Category 2-7 cable. Multi pair cable with an overall shield is acceptable, however individually shielded pairs should be avoided. Multiple UTP video feeds can be operated in the same communication cable along with telephone, computer, control signals and low power voltages. While UTP video may be routed through punch-down block terminals, any resistive, capacitive or inductive devices (such as T-taps or MOV's) must not be used. Please contact Vigitron for more specific information regarding wire types and proper installation techniques.



TEL (+1) 858-484-5209 • FAX (+1) 858-484-1205
13906 Sparren Ave. San Diego, CA 92129, USA • info@vigitron.com • www.vigitron.com