

# Vi1004

## 4-Channel Passive UTP Video Receiver Hub

### Features

- Quality video over 1,000 ft (305 m)\* of unshielded twisted pair wires (UTP)
- NTSC, PAL and SECAM video formats
- Compatible with qualified cameras with built-in UTP transmitter
- 60 dB cross talk and noise immunity
- No power required
- Built-in differential and common surge protection
- Detachable terminal blocks and RJ-45 connector for UTP
- 1U high rack mountable with a Vi0010 panel
- Limited lifetime warranty



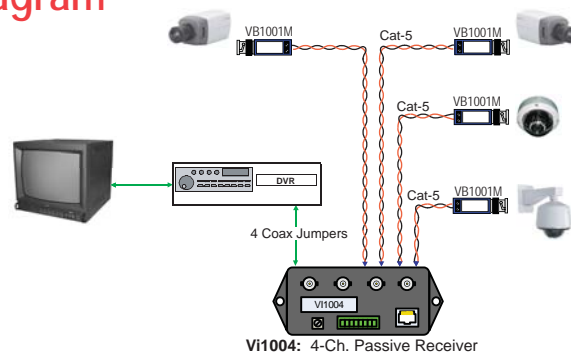
### Applications

- Security and surveillance
- Department store security
- Casino security
- Hospitals and airports
- School campuses

The VigitrON Vi1004 is a passive transceiver hub that transmits or receives video signals over unshielded twisted pair (UTP) wires, point-to-point, for distances up to 1,000 ft (305 m)\*. It is used with VigitrON Passive Transceivers such as VB1001M to support "up-the-coax" PTZ signals. This hub uses category 2-7 twisted pair wires, is easy to install, cost effective, and does not require power.

It has built-in surge suppression to protect video equipment against damaging voltage spikes and provides noise immunity to ensure quality images. The Vi1004 offers quality video in a highly integrated and cost effective package. It is ideal for a wide variety of security and surveillance applications that require high density CCTV systems.

### Application Diagram



The smart choice for quality video



[www.vigitrON.com](http://www.vigitrON.com)

DSVi1004\_0609

# Technical Specification\*\*

## Electrical

Video Format	NTSC, PAL, SECAM
Frequency	DC to 10 MHz
Coax	75 Ohm
Twisted Pair	100 Ohms +/- 20%, 24 AWG minimum up to 1,000 ft. (305 m)* unshielded category 2-7
CMRR	60 dB
Insertion Loss	0.3 dB
Power	No power required
Connectors	UTP video inputs: Detachable terminal blocks and RJ-45 connector Video outputs: BNC connectors
Transient Immunity	per ANSI 587 C62.41

## Environmental

Humidity	0 to 95%, non-condensing
Temperature	Operating: -10°C to +50°C Storage: -30°C to +70°C

## Mechanical

Dimensions	1.73x4.5x1 in, 4.4x11.5x2.5 cm (HxWxL)
Weight	0.2 lb, 90 g
Material	Black ABS plastic, UL rating of 94V-0

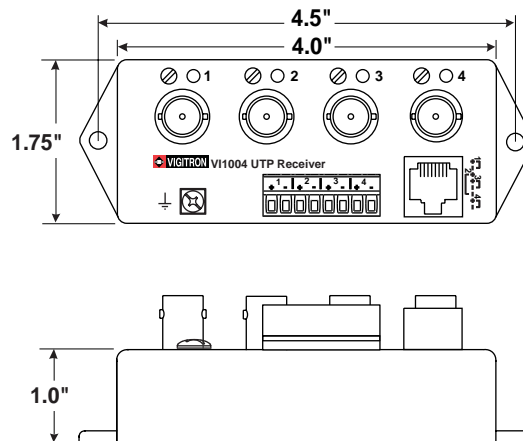
\*It is recommended not to exceed 750 ft. (250 m) when using with digital equipment.  
\*\*Specifications subject to change without notice.

## Ordering Information

PART No.	Description
Vi1004	4-Ch Passive Receiver hub

## System Configuration

Passive Transceivers	
Channels	Model
1	VB1001F/M VB1007M Vi1001F/M/P Vi1003M Vi1006M
4	Vi1004
8	Vi1008
16	Vi1016
32	Vi1032



## Wire and Cable Recommendations

The Vigitron products are designed to be used with unshielded twisted pair (UTP) wiring. The UTP wire must be 24AWG - 12AWG or category 2-7 cable. Multi pair cable with an overall shield is acceptable, however individually shielded pairs should be avoided. Multiple UTP video feeds can be operated in the same communication cable along with telephone, computer, control signals and low power voltages. While UTP video may be routed through punch-down block terminals, any resistive, capacitive or inductive devices (such as T-taps or MOV's) must not be used. Please contact Vigitron for more specific information regarding wire types and proper installation techniques.



TEL (+1) 858-484-5209 • FAX (+1) 858-484-1205  
13906 Sparren Ave. San Diego, CA 92129, USA • info@vigitron.com • www.vigitron.com