



All VITEK varifocals are manufactured in Japan, encompassing the very highest quality glass optics. Their compact design enables ease of installation in small domes and outdoor camera enclosures. Locking screws make it easy to set and maintain focus settings.

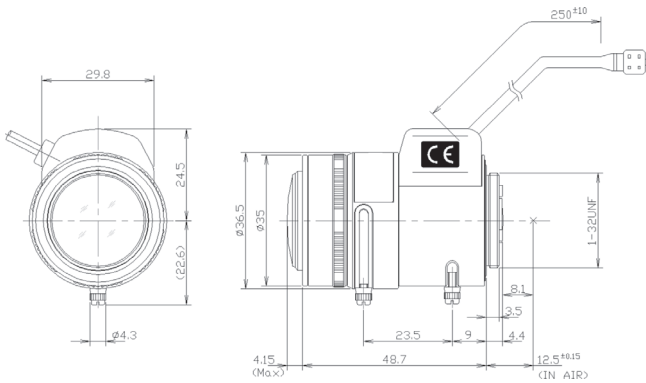
#### FEATURES:

- 3 MegaPixel HD
- 1/3" (VTL-MP289D/IR) & 1/2.7" (VTL-MP7550D/IR) Image Formats
- All Glass Optics
- Auto Iris, DC-Drive Iris operation
- CS Lens Mount
- 3 Year Warranty

| Detailed Specifications | VTL-MP289D/IR       | VTL-MP7550D/IR      |
|-------------------------|---------------------|---------------------|
| MegaPixel               | 3 MegaPixel         | 3 MegaPixel         |
| Image Format            | 1/3"                | 1/2.7"              |
| Focal Length            | 2.8~9.0mm           | 7.5~50mm            |
| Iris Operation          | Auto Iris, DC-Drive | Auto Iris, DC-Drive |
| Iris Range              | F1.2~F360           | F1.5~F360           |
| Horizontal FOV          | 97.7° 31.7°         | 44.6°~7.2°          |
| Vertical FOV            | 71.9° 23.8°         | 30.2°~6.37°         |
| Diagonal FOV            | 125.7° 39.6         | 50.99°~10.6°        |
| Lens Mount              | CS Mount            | CS Mount            |
| Back Focus              | 8.018 15.491mm      | 9.42~11.6mm         |
| IR Corrected            | YES                 | YES                 |

**DIMENSIONS:**

VTL-MP289D/IR



VTL-MP7550D/IR

