

Long Distance Ex-Clear View Day and Night Camera

WDB-5649VDN



- Long distance ex-clear view up to 120 feet at total darkness
- Clear focus at night with anti-IR focus distortion technology built-in
- Extremely reliable power control
- Automatic LED on / off with photo sensor
- Complete weatehrproof / vandalproof mechanism (IP67)
- External vari-focal angle adjustment and DC Iris volume level adjustment
- External control camera function (BLC, AGC)

SPECIFICATION

Image sensor

1/3" SONY super HAD

H. resolution

540TVL (HQ1)

Effective pixels

NTSC: 768(H) x 494(V) / PAL: 752(H) x 582(V)

Min. illumination

0.5Lux (IR LED off)

Scanning frequency

Horizontal:15,734Hz, vertical:59.94Hz

Video output level

1.0Vp-p (75ohm, composite)

S/N ratio

More than 50dB (AGC off)

Gamma

r=0.45

White balance

2,100°K ~ 9100°K - auto

Gain control

4dB - 32dB - auto

Visibility range

Indoor 55m / outdoor 40m

IR LED

54IR / 850nm, 20°, visible, 100mA, 5 Φ

Operating temperature (humidity)

-20°C ~ +60°C (10% ~95% RH)

Lens

4mm ~ 9mm, 1:1.6 ~ 2.4 / 9mm~22mm, 1:1.6 ~ 2.4

IRIS: auto (F1.6 ~ 360) manual (50cm ~ ∞)

MTBF

20,000 hour (easy changeable IR LED 20,000 hour)

Power source

AC24V / DC12V dual voltage

Dimensions (WxHxD/mm)

88(W) x 95(H) x 124(L) (W/O sunshield)

Net weight

1500g (w/sunshield)

weldex.com
oem@weldex.com
Tel: (714) 761-2100 [USA]
Fax:(714) 761-3811 [USA]
Tel:+49 (0)2102 528 2803 [GER]
Fax:+49 (0)2102 528 2804 [GER]

For design help, accessories or pricing, please contact:
sales@avsupply or call: 1-858-565-1101



1-800-284-2288 sales@avsupply.com
www.avsupply.com

Distributed By: Audio Video Supply -- Tel: 1-800-284-2288 -- www.avsupply.com

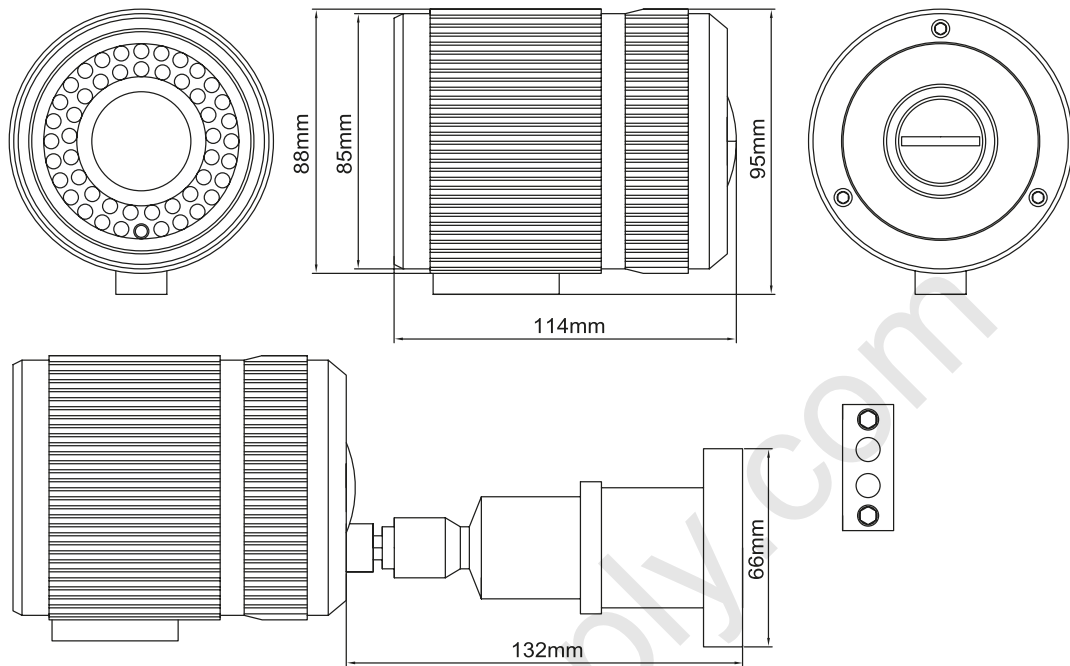
© 2014 Weldex

6751 Katella Avenue, Cypress, CA 90630 [USA]
Broichhof Strasse 5 D-40880 Ratingen, Germany [GER]

Long Distance Ex-Clear View Day and Night Camera

WDB-5649VDN

DIMENSIONS



Distributed By: Audio Video Supply -- Tel: 1-800-284-2288 -- www.avsupply.com

weldex.com
oem@weldex.com
Tel: (714) 761-2100 [USA]
Fax: (714) 761-3811 [USA]
Tel: +49 (0)2102 528 2803 [GER]
Fax: +49 (0)2102 528 2804 [GER]

© 2014 Weldex
6751 Katella Avenue, Cypress, CA 90630 [USA]
Broichhof Strasse 5 D-40880 Ratingen, Germany [GER]

WELDEX

For design help, accessories or pricing, please contact:
sales@avsupply or call: 1-858-565-1101