

# 1/3" Vari-Focal Weatherproof Bullet Cameras

WDB-3580C



## SPECIFICATION

- Vari-focal 4-9mm auto IRIS lens
- The auto iris level control will provide adjustments for extreme light conditions
- A heavy duty cast aluminum housing and tamper proof screws provide protection against vandalism
- The sleek housing allows these bullet cameras to be installed on almost any architectural design
- With 3 mounting holes in the housing, you can install these bullet cameras on any surface and adjust to any angle
- Line lock with vertical phase adjustment makes this camera easy to integrate into matrix systems
- Powerful back light compensation
- Digital signal processing (DSP) on the color bullet camera gives it the best resolution for such a small package
- Camera options include: color and B&W, normal (420/430 TVL) and high resolution (570 TVL)

Input voltage	DC12V
Power consumption	200mA or less / 300mA or less
Video connector	BNC
Power connector	Barrel plug connector
Pixels	High resolution - 768(H) x 494(V), normal resolution - 510(H) x 492(V)
S/N ratio	More than 48dB
Video output	1.0Vp-p 75ohm
CCD	1/3" super HAD CCD
Auto IRIS	Level control adjustment
Construction	Cast aluminum housing with clear window
Color	Black (beige available)
Lens	4.0mm ~ 9.0mm vari-focal auto IRIS lens
Dimensions	2.08" (53mm)DIA. x 3.16" (103.3mm)L
Operating temperature	14°F ~ +140°F
Storage temperature	-4°F ~ 158°F
NEMA rating	NEMA 4 - weatherproof

Color camera	Image sensor	Power req.	Res.	Lux	Lens
WDBAC-3580C	1/3" super HAD SONY CCD	AC24V & DC12V dual power	420TVL	0.3	4mm~9mm varifocal auto-IRIS (F1.2)
WDBAC-3585C	1/3" super HAD SONY CCD	AC24V & DC12V dual power	570TVL	0.3	4mm~9mm varifocal auto-IRIS (F1.2)
WDB-3580C	1/3" super HAD SONY CCD	DC12V	420TVL	0.3	4mm~9mm varifocal auto-IRIS (F1.2)
WDB-3585C	1/3" super HAD SONY CCD	DC12V	570TVL	0.3	4mm~9mm varifocal auto-IRIS (F1.2)

B & W camera	Image sensor	Power req.	Res.	Lux	Lens
WDBAC-3580C	1/3" super HAD SONY CCD	AC24V & DC12V dual power	430TVL	0.03	4mm~9mm varifocal auto-IRIS (F1.2)
WDBAC-3585C	1/3" super HAD SONY CCD	AC24V & DC12V dual power	570TVL	0.03	4mm~9mm varifocal auto-IRIS (F1.2)
WDB-3580C	1/3" super HAD SONY CCD	DC12V	430TVL	0.03	4mm~9mm varifocal auto-IRIS (F1.2)
WDB-3585C	1/3" super HAD SONY CCD	DC12V	570TVL	0.03	4mm~9mm varifocal auto-IRIS (F1.2)

weldex.com  
oem@weldex.com  
Tel: (714) 761-2100 [USA]  
Fax: (714) 761-3811 [USA]  
Tel: +49 (0)2102 528 2803 [GER]  
Fax: +49 (0)2102 528 2804 [GER]

© 2014 Weldex  
6751 Katella Avenue, Cypress, CA 90630 [USA]  
Broichhof Strasse 5 D-40880 Ratingen, Germany [GER]



1-800-284-2288 sales@avsupply.com  
www.avsupply.com

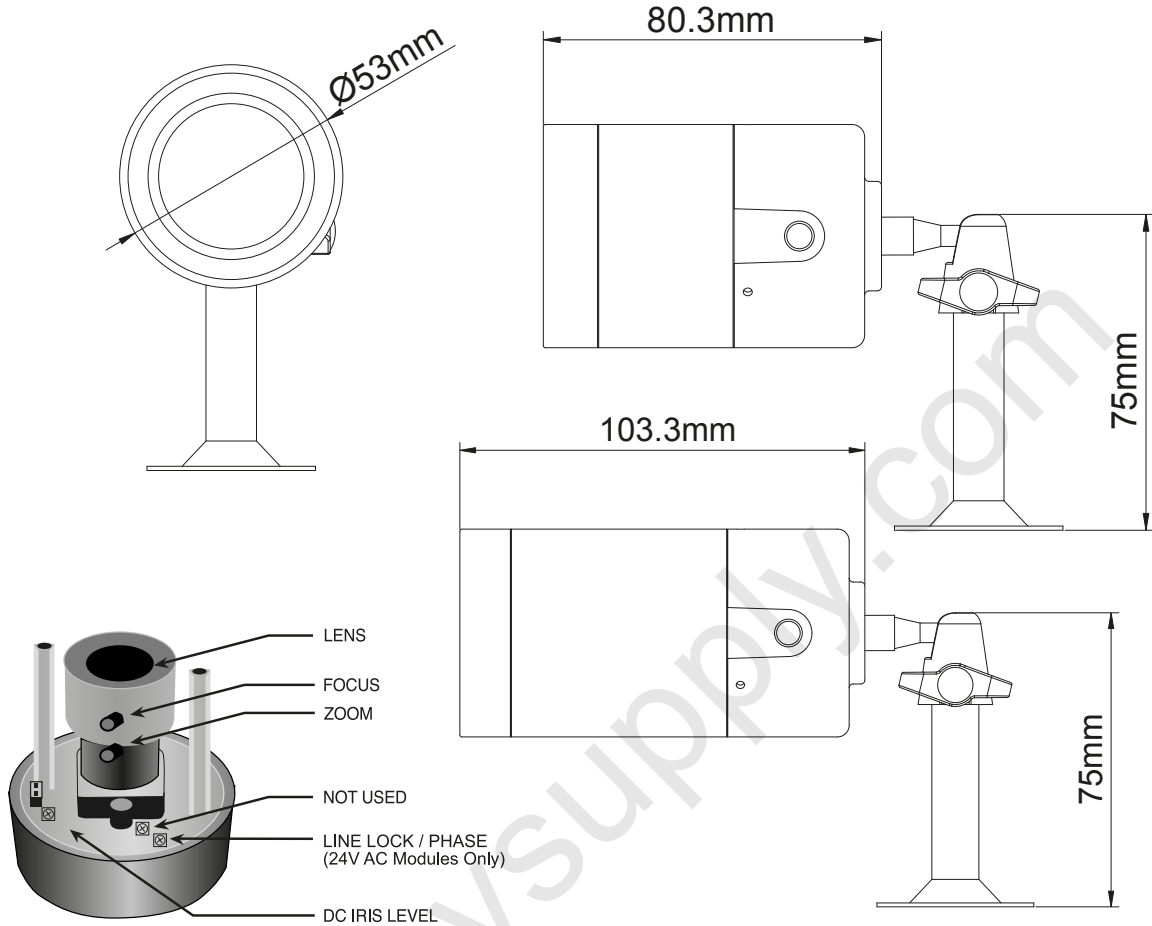
For design help, accessories or pricing, please contact:  
sales@avsupply or call: 1-858-565-1101

Distributed By: Audio Video Supply -- Tel: 1-800-284-2288 -- www.avsupply.com

# 1/3" Vari-Focal Weatherproof Bullet Cameras

WDB-3580C

## DIMENSIONS



Distributed By: Audio Video Supply -- Tel: 1-800-284-2288 -- www.avsupply.com

weldex.com  
oem@weldex.com  
Tel: (714) 761-2100 [USA]  
Fax: (714) 761-3811 [USA]  
Tel: +49 (0)2102 528 2803 [GER]  
Fax: +49 (0)2102 528 2804 [GER]

© 2014 Weldex  
6751 Katella Avenue, Cypress, CA 90630 [USA]  
Broichhof Strasse 5 D-40880 Ratingen, Germany [GER]

**WELDEX**

For design help, accessories or pricing, please contact:  
sales@avsupply or call: 1-858-565-1101