

Digital Day & Night Vandal Resistant Dome Camera

WDD-2988WD



- Ultra wide dynamic range pixim seawolf sensor for outstanding back-light sensitivity
- Enhanced low-light performance for indoor & outdoor applications (0.1 Lux)
- High resolution of 690 TV lines
- User friendly OSD menu control
- Day & night
- Dual voltage - AC24V / DC12V
- Vandal resistant & weatherproof dome camera (IP66)
- Dynamic range: 120dB max
- Additional functions (sens-up, motion detection, mirror, sharpness, sync-INT/LL)

SPECIFICATION

	NTSC	PAL
Power source	AC24V & DC12V, power dual	AC24V & DC12V, power dual
High quality image mode	720 x 540	720 x 540
High resolution image mode	758 x 540	758 x 540
Sensor	1/3" PIXIM seawolf	1/3" PIXIM seawolf
Scanning system	Progressive	Progressive
Synchronization	Internal / line lock (phase adjust)	Internal / line lock (phase adjust)
Frequency	Horizontal: 15.734KHz / vertical: 59.94Hz	Horizontal: 15.625KHz / Vertical: 50.00Hz
Resolution	690TV lines	690TV lines
Video output	1.0Vp-p/75 (video 0.714Vp-p, sync 0.286Vp-p)	1.0Vp-p/75 (video 0.7Vp-p, sync 0.3Vp-p)
Day & night	True day / night : soft day / night (B/W)	True day / night : soft day / night (B/W)
Min. illumination	0.1 Lux min. illumination (F1.2, 50IRE)	0.1 Lux min. illumination (F1.2, 50IRE)
Back light compensation	BLC on / off	BLC on / off
AGC	Programmable up to 50dB	Programmable up to 50dB
White balance	ATW, AWB	ATW, AWB
Electronic shutter speed	1/25 ~ 1/30,720 second (F1.2)	1/25 ~ 1/30,720 Second (F1.2)
SNR	Up to 50dB max (Y signal, AGC off)	Up to 50dB max (Y signal, AGC off)
O.S.D	Built-in	Built-in
Noise reduction	3D motion adaptive	3D motion adaptive
Motion detection	On / off (4 programmable zone)	On / off (4 programmable zone)
Image flip	Horizontal and vertical	Horizontal and vertical
Privacy function	On / off (16 programmable zone)	On / off (16 programmable zone)
Lens	Vari-focal DC IRIS lens 4-9mm	Vari-focal DC IRIS lens 4-9mm
Operation temp. / humidity	-10°C ~ +50°C / 30% ~ 90% RH	-10°C ~ +50°C / 30% ~ 90% RH
Weight	Approximately 400g	Approximately 400g

Distributed By: Audio Video Supply -- Tel: 1-800-284-2288 -- www.avsupply.com

weldex.com
oem@weldex.com
Tel: (714) 761-2100 [USA]
Fax: (714) 761-3811 [USA]
Tel: +49 (0)2102 528 2803 [GER]
Fax: +49 (0)2102 528 2804 [GER]

© 2014 Weldex
6751 Katella Avenue, Cypress, CA 90630 [USA]
Broichhof Strasse 5 D-40880 Ratingen, Germany [GER]



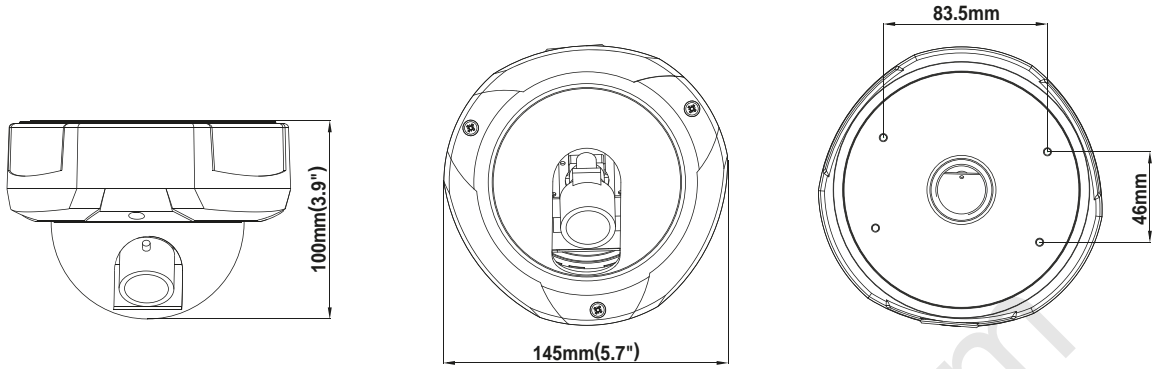
For design help, accessories or pricing, please contact:
sales@avsupply or call: 1-858-565-1101

1-800-284-2288 sales@avsupply.com
www.avsupply.com

Digital High Res. Vandal Resistant Dome Camera

DIMENSIONS (Unit: mm)

WDD-2988WD



Distributed By: Audio Video Supply -- Tel: 1-800-284-2288 -- www.avsupply.com

weldex.com
oem@weldex.com
Tel: (714) 761-2100 [USA]
Fax: (714) 761-3811 [USA]
Tel: +49 (0)2102 528 2803 [GER]
Fax: +49 (0)2102 528 2804 [GER]

© 2014 Weldex
6751 Katella Avenue, Cypress, CA 90630 [USA]
Broichhof Strasse 5 D-40880 Ratingen, Germany [GER]

WELDEX

For design help, accessories or pricing, please contact:
sales@avsupply or call: 1-858-565-1101