

Day/Night Armordome Camera with Infra-Red LED Illuminators



WDD-4900DN (Normal Res.)
WDD-4905DN (High Res.)

MAIN FEATURES

- True Day/Night Operation - Color Camera with Infra-Red Self Illumination
- 14 Infra-Red Illuminators Will Provide Scene Illumination Up to 30' (feet) Distance
- Vari-Focal 4.0 - 9.0mm Auto Iris Lens Included with Every WDD-4900DN Armordome Series Camera (Other Vari-Focal Auto Iris Lenses Available)
- The Auto Iris Level Control Will Provide Adjustments For Extreme Light Conditions
- High Impact Lexan Dome Cover and Tamper Proof Screws Provide Ultimate Protection of The Camera Circuitry
- Manual Pan, Tilt and Rotating (X-Y-Z axis) Adjustments Allow for Unobstructed Movement of The Camera Module
- Line Lock with Vertical Phase Adjustment Makes This Camera Easy to Integrate Into Matrix Systems
- Back Light Compensation - Selectable On/Off
- Digital Signal Processing (DSP) on The Color Armordome Camera Gives It Unmatched Picture Clarity

WELDEX CAN CUSTOMIZE CAMERAS FOR YOUR S

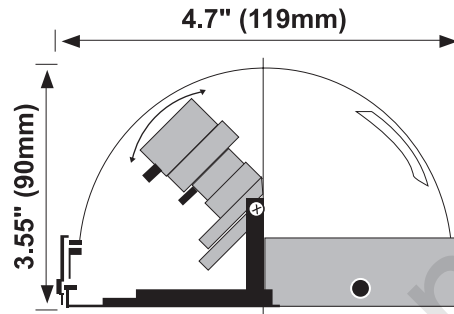
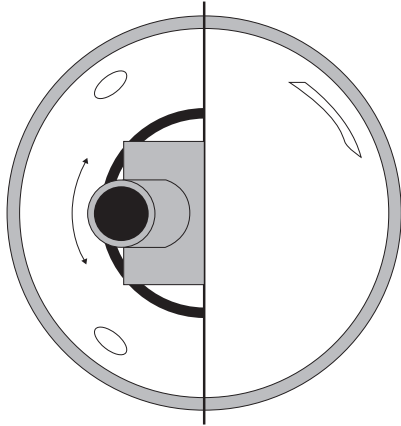
For design help, accessories or pricing, please contact:
sales@avsupply or call: 1-858-565-1101

AUDIOVIDEO SUPPLY

1-800-284-2288 sales@avsupply.com
www.avsupply.com

WDD-4900DN Series (1/3" Day/Night Armordome Camera with Infra-Red LED Illuminators)

DIMENSIONS



Surface mount dome camera on ceilings, walls, poles or other solid areas

SPECIFICATIONS

Electrical

Input Voltage	AC-24 Volt
Power Consumption	200mA or less
Video Connector	BNC
Power Connector	Bare Leads

Video

Pixels	High Resolution - 768 (H) x 494 (V), Normal Resolution - 512 (H) x 492 (V)
S/N Ratio	More than 48dB
Video Output	1.0Vp-p 75ohm
CCD	1/3" Color DSP and 1/3" Monochrome
Auto Iris	Level Control Adjustment
Back Light (BLC)	Selectable On/Off

Physical

Construction	Heavy Duty Metal Base and Swivel Bracket - Polycarbonate Dome Cover
Color	Black (Beige Available)
Cable Entry	1/2" Hole on bottom plate
Manual Pan/Tilt Adjustment	120 Degree Pan / 180 Degree Tilt (When installed)
Manual Rotation Adjustment	75 Degree Rotation (When installed)
Lens	4.0mm - 9.0mm Vari-Focal Auto Iris Lens (Optional 2.6 - 6.0mm Vari-Focal Auto-Iris Lens)
Dimensions	4.7" (119mm) DIA. x 3.55" (90mm) H

Environment

Operating Temp.	+4 Deg. F to +158 Deg. F
Storage Temp.	-4 Deg. F to +160 Deg. F
NEMA Rating	Type 2

Self-Illumination

Qty of LEDs	14
LED Frequency	870 Nanometer

COLOR CAMERA	IMAGE SENSOR	POWER REQ.	RESOLUTION	LUX	LENS
WDD-4900DN	1/3" COLOR DSP	24 VOLT AC	420 TV LINES	0.3	4-9mm VARI-FOCAL AUTO-IRIS
WDD-4905DN	1/3" COLOR DSP	24 VOLT AC	570 TV LINES	0.3	4-9mm VARI-FOCAL AUTO-IRIS

For design help, accessories or pricing, please contact:
sales@avsupply or call: 1-858-565-1101