



SPECIFICATION

- Mini high impact armordome that allows for unobstrusive video monitoring While still providing ultimate protection for the camera
- Tamper-proof hardware adds extra protection against vandalism
- Manual pan and tilt adjustments make this camera easy to install on vertical or horizontal surfaces
- Automatic back light compensation
- Digital signal processing (DSP) provides unmatched picture quality
- Heavy-duty all metal armordome base and swivel bracket makes For the most rugged camera enclosure available on the market
- Camera options include: color and b&w, normal resolution (720 / 430TVL) and high resolution (570TVL), AC24V and DC12V power requirements

Input voltage

AC24V

Power consumption

200mA or less

Video connector

BNC

Power connector

Bare leads, 2.1mm barrel plug

Pixels

High resolution - 768(H) x 494(V),
Normal resolution - 512(H) x 492(V)

S/N ratio

More than 48dB

Video output

1.0Vp-p 75Ohm

CCD

1/3" color DSP and 1/3" monochrome

Back light (BLC)

Automatic

Construction

Heavy duty metal base and swivel bracket
-polycarbonate dome cover

Color

Black (beige available)

Cable entry

1/2" hole on bottom plate

Manual pan / tilt adjustment

75° pan / 90° tilt (when installed)

Lens

Fixed 3.6mm
(2.2, 2.5, 2.9, 4.3, 6.0, 8.0, 12.0 and 16.0mm available)

Dimensions

3.85" DIA. x 2.7"H

Operating temp.

+4°F ~ +158°F

Storage temp.

-4°F ~ +160°F

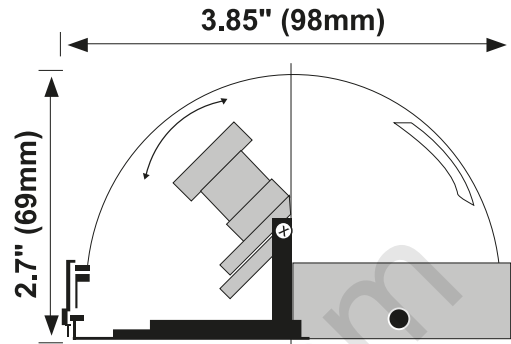
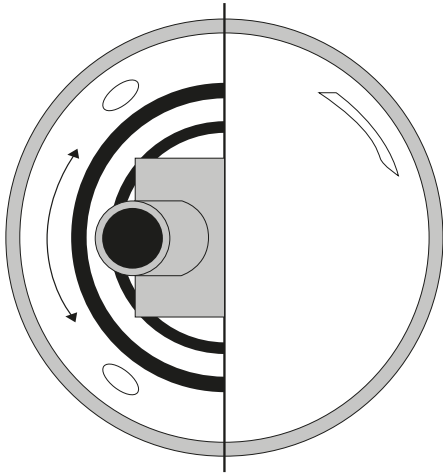
NEMA rating

Type 2

1/3" Color and B&W Armordome Cameras

WDD-6400C

／ DIMENSIONS (Unit: mm)



Surface mount dome camera on ceilings, walls, poles or other solid areas

Color camera	Image sensor	Power req.	Resolution	Lux	Lens
WDD-6400C	1/3" color DSP	AC24V	420 TV lines	0.3	Fixed 3.6mm others available
WDD-6405C	1/3" color DSP	AC24V	570 TV lines	0.3	Fixed 3.6mm others available
WDD-7500C	1/3" color DSP	DC24V	420 TV lines	0.3	Fixed 3.6mm others available
WDD-7505C	1/3" color DSP	DC24V	570 TV lines	0.3	Fixed 3.6mm others available

Color camera	Image sensor	Power req.	Resolution	Lux	Lens
WDD-6400B	1/3" B&W	AC24V	570 TV lines	0.03	Fixed 3.6mm others available
WDD-7500B	1/3" B&W	DC12V	430 TV lines	0.03	Fixed 3.6mm others available

Distributed By: Audio Video Supply -- Tel: 1-800-284-2288 -- www.avsupply.com

weldex.com
oem@weldex.com
Tel: (714) 761-2100 [USA]
Fax: (714) 761-3811 [USA]
Tel: +49 (0)2102 528 2803 [GER]
Fax: +49 (0)2102 528 2804 [GER]

© 2014 Weldex
6751 Katella Avenue, Cypress, CA 90630 [USA]
Broichhof Strasse 5 D-40880 Ratingen, Germany [GER]



For design help, accessories or pricing, please contact:
sales@avsupply or call: 1-858-565-1101