



## SPECIFICATION

- Mini high impact armordome that allows for unobstrusive video monitoring While still providing ultimate protection for the camera
- Tamper-proof hardware adds extra protection against vandalism
- Manual pan and tilt adjustments make this camera easy to install on vertical or horizontal surfaces
- Automatic back light compensation
- Digital signal processing (DSP) provides unmatched picture quality
- Heavy-duty all metal armordome base and swivel bracket makes For the most rugged camera enclosure available on the market
- Camera options include: color and B&W, normal resolution (720 / 430TVL) and high resolution (570TVL), AC24V and DC12V power requirements

**Input voltage**

DC12V

**Power consumption**

200mA or less

**Video connector**

BNC

**Power connector**

Bare leads 2.1mm barrel plug

**Pixels**

High resolution - 768(H) x 494(V),  
Normal resolution - 512(H) x 492(V)

**S/N ratio**

More than 48dB

**Video output**

1.0Vp-p 75Ohm

**CCD**

1/3" color DSP and 1/3" monochrome

**Back light (BLC)**

Automatic

**Construction**

Heavy duty metal base and swivel bracket  
- polycarbonate dome cover

**Color**

Black (beige available)

**Cable entry**

1/2" hole on bottom plate

**Manual pan / tilt adjustment**

75° pan / 90° tilt (when installed)

**Lens**

Fixed 3.6mm

(2.2, 2.5, 2.9, 4.3, 6.0, 8.0, 12.0 and 16.0mm available)

**Dimensions**

3.85" DIA. x 2.7" H

**Operating temp.**

+4°F ~ +158°F

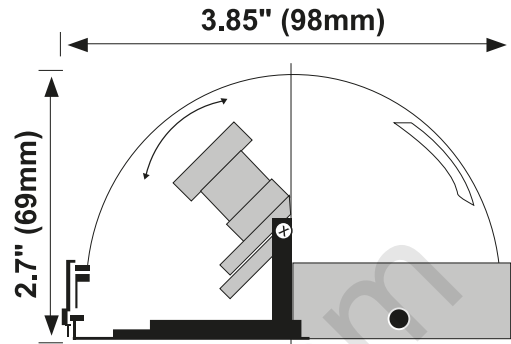
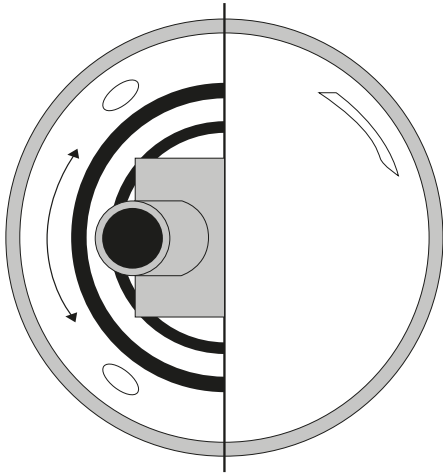
**Storage temp.**

-4°F ~ +160°F

**NEMA rating**

Type 2

### ／ DIMENSIONS (Unit: mm)



Surface mount dome camera on ceilings, walls, poles or other solid areas

Color camera	Image sensor	Power req.	Resolution	Lux	Lens
WDD-6400C	1/3" color DSP	AC24V	420 TV lines	0.3	Fixed 3.6mm others available
WDD-6405C	1/3" color DSP	AC24V	570 TV lines	0.3	Fixed 3.6mm others available
WDD-7500C	1/3" color DSP	DC12V	420 TV lines	0.3	Fixed 3.6mm others available
WDD-7505C	1/3" color DSP	DC12V	570 TV lines	0.3	Fixed 3.6mm others available

Distributed By: Audio Video Supply -- Tel: 1-800-284-2288 -- www.avsupply.com