

1/3" Indoor Day / Night Mini-Armordome Cameras

WDD-7505DN



SPECIFICATION

- True day/night operation
- 14 Infra-red LED illuminators
- Mini high impact armordome that allows for unobstrusive video monitoring While still providing ultimate protection for the camera
- Tamper-proof hardware adds extra protection against vandalism
- Manual pan and tilt adjustments make this camera easy to install on vertical or horizontal surfaces
- Automatic back light compensation
- Digital signal processing (DSP) provides unmatched picture quality
- Heavy-duty all metal armordome base and swivel bracket makes For the most rugged camera enclosure available on the market
- Camera options include: normal resolution (400TVL) and high resolution (480TVL), AC24V and DC12V power requirements

Imager

1/3" color CCD

Pixels

768(H) x 494(V) NTSC

Resolution

480TVL

Minimum illumination

0 Lux (IR LEDs on)

S/N ratio

48dB

Shutter speed

1/60 ~ 1/100,000sec

Gamma

0.45

White balance

Auto white balance

Automatic gain control

Yes

Video output

1.0 Vp-p composite, 75Ohm

Power input (connectors)

Barrel plug connector

Video output (connectors)

Bnc connector

Power input (electrical)

DC12V

Current consumption

7.2Watts

Lens Type

Fixed 3.6mm (others available)

LEDs

14 individual super infra-red LEDs

LED Range

30ft

Dimensions

3.85" DIA. x 2.7" H

Operating temp.

-4°F ~ +158°F

Accessories (optional)

power supply - Weldex WDADP-12/1A

weldex.com
oem@weldex.com
Tel: (714) 761-2100 [USA]
Fax: (714) 761-3811 [USA]
Tel: +49 (0)2102 528 2803 [GER]
Fax: +49 (0)2102 528 2804 [GER]

For design help, accessories or pricing, please contact:
sales@avsupply or call: 1-858-565-1101



1-800-284-2288 sales@avsupply.com
www.avsupply.com

Distributed By: Audio Video Supply -- Tel: 1-800-284-2288 -- www.avsupply.com

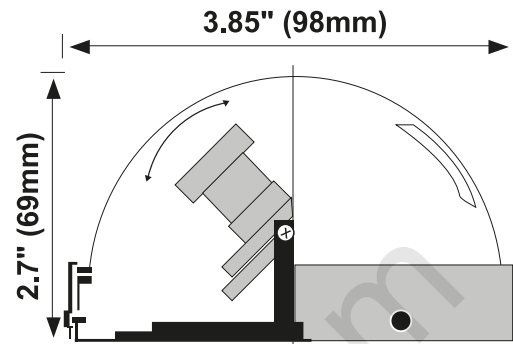
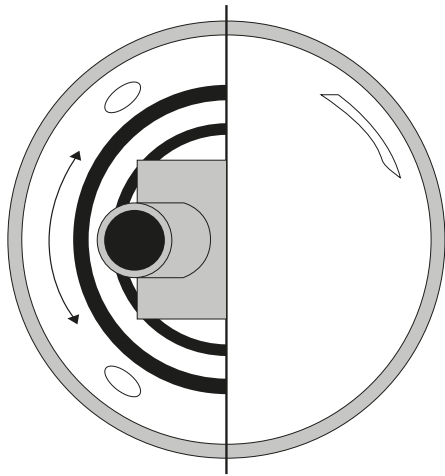
© 2014 Weldex

6751 Katella Avenue, Cypress, CA 90630 [USA]
Broichhof Strasse 5 D-40880 Ratingen, Germany [GER]

1/3" Indoor Day / Night Mini-Armordome Cameras

WDD-7505DN

／ DIMENSIONS (Unit: mm)



Surface mount dome camera on ceilings, walls, poles or other solid areas

Color camera	Image sensor	Power req.	Resolution	Lux	Lens
WDD-6400DN	1/3" color DSP	AC24V	400 TV lines	0.3	Fixed 3.6mm others available
WDD-6405DN	1/3" color DSP	AC24V	480 TV lines	0.3	Fixed 3.6mm others available
WDD-7500DN	1/3" color DSP	DC12V	400 TV lines	0.3	Fixed 3.6mm others available
WDD-7505DN	1/3" color DSP	DC12V	480 TV lines	0.3	Fixed 3.6mm others available

Distributed By: Audio Video Supply -- Tel: 1-800-284-2288 -- www.avsupply.com

weldex.com
 oem@weldex.com
 Tel: (714) 761-2100 [USA]
 Fax: (714) 761-3811 [USA]
 Tel: +49 (0)2102 528 2803 [GER]
 Fax: +49 (0)2102 528 2804 [GER]

© 2014 Weldex
 6751 Katella Avenue, Cypress, CA 90630 [USA]
 Broichhof Strasse 5 D-40880 Ratingen, Germany [GER]



For design help, accessories or pricing, please contact:
 sales@avsupply or call: 1-858-565-1101