

650TVL High Res. WDR Indoor Dome Camera

WDD-80W6VDN



- 1/3" SONY super HAD CCD
- High resolution of 650TV lines
- Wide dynamic range (WDR)
- Excellent color performance
- Day / night - 36 IR LED
- Additional functions (sens-up, motion detection, mirror, privacy function)
- 3DNR (digital noise reduction)
- DC12V & AC24V
- 3 axis positioning for easy installation / optimum FOV

SPECIFICATION

TV system

650TV line CAM NTSC system 410K

Pick-up device

1/3" interline transfer super HAD / SONY CCD

Picture elements

811(H) x 508(V) 410K pixels

Effective picture elements

768(H) x 494(V) 380K pixels

Scanning area

2:1 interlace (NTSC standard) 525 lines
60 fields / 30 frames

Scanning system

3640.8um x 2752.87um

Video output

1.0 Vp-p EIA comp.

Resolution

Color: 650TVL B/W: 720 TVL horizontally

Electronic IRIS

1/60 ~ 1/100,000 sec

Minimum illumination

Color: 0.3 Lux [50IRE F1.2] 0.006 Lux [sens-up X256]
B/W: 0.1 Lux [50IRE F1.2] 0.0001 Lux [sens-up X256]

SYNC. system

Internal only

OSD

Built-in

3DNR

Built-in on / off

Backlight compensation

Built-in on / off selectable WDR/HBLC/BLC

Digital zoom

Built-in on / off up to 256X

Mirror function

Built-in on / off rotate / V-Flip / mirror

Motion detection

on / off (4 zone)

Privacy

on / off (8 zone)

IRIS mode

ESC / DC IRIS

AGC

Built-in low / middle / high

F-DNR

Built-in on / off

Gamma

r=0.45

S/N ratio

52dB [AGC off]

Power source

DC 12V± 10% 110mA

Ambient temp.

-10°C ~ +50°C

PCB dimension

42mm x 42mm x 1 board

weldex.com
oem@weldex.com
Tel: (714) 761-2100 [USA]
Fax: (714) 761-3811 [USA]
Tel: +49 (0)2102 528 2803 [GER]
Fax: +49 (0)2102 528 2804 [GER]

For design help, accessories or pricing, please contact:
sales@avsupply or call: 1-858-565-1101

© 2014 Weldex
6751 Katella Avenue, Cypress, CA 90630 [USA]
Broichhof Strasse 5 D-40880 Ratingen, Germany [GER]



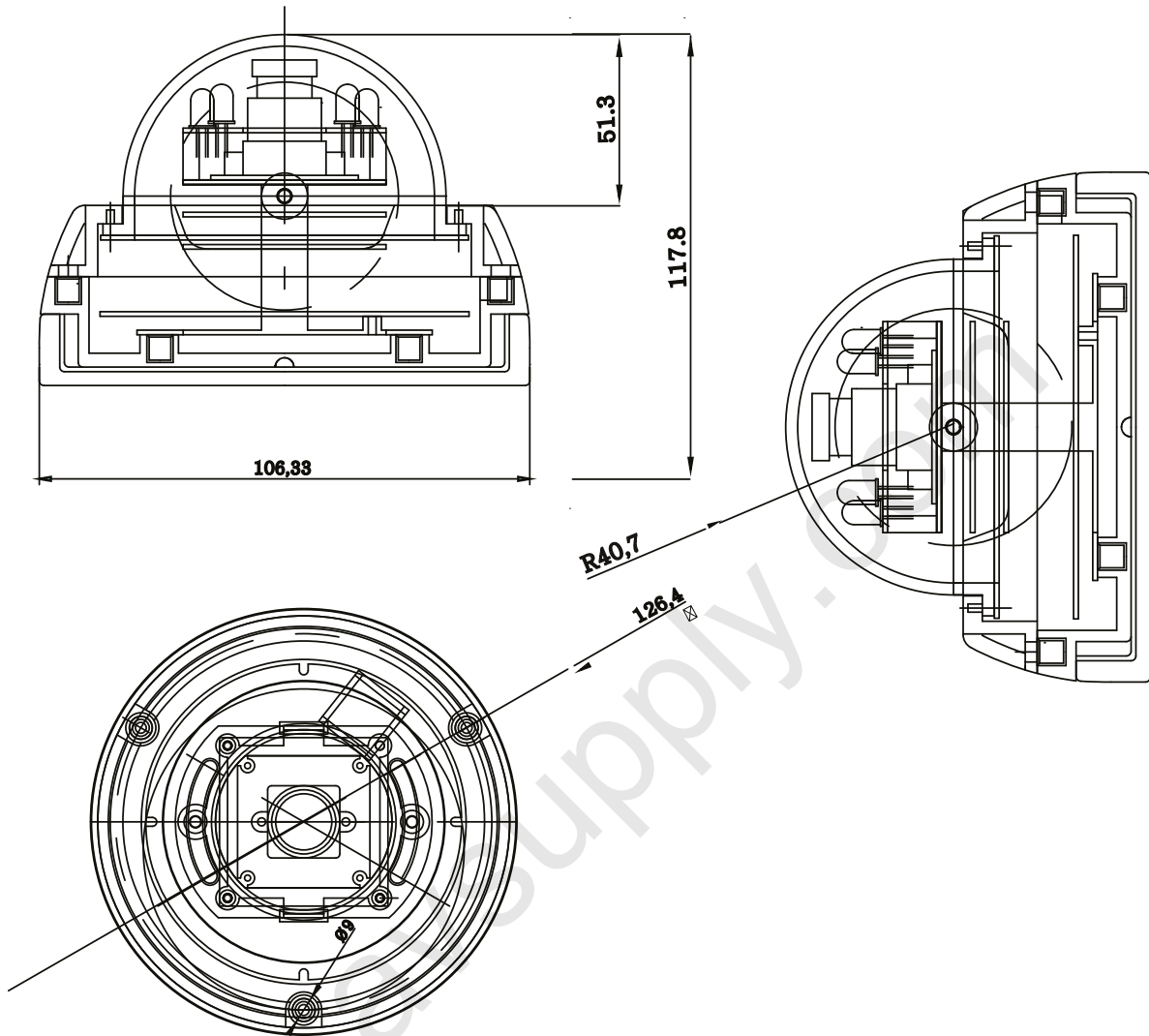
1-800-284-2288 sales@avsupply.com
www.avsupply.com

Distributed By: Audio Video Supply -- Tel: 1-800-284-2288 -- www.avsupply.com

650TVL High Res. WDR Indoor Dome Camera

DIMENSIONS (Unit: mm)

WDD-80W6VDN



Distributed By: Audio Video Supply -- Tel: 1-800-284-2288 -- www.avsupply.com

weldex.com
oem@weldex.com
Tel: (714) 761-2100 [USA]
Fax: (714) 761-3811 [USA]
Tel: +49 (0)2102 528 2803 [GER]
Fax: +49 (0)2102 528 2804 [GER]

© 2014 Weldex
6751 Katella Avenue, Cypress, CA 90630 [USA]
Broichhof Strasse 5 D-40880 Ratingen, Germany [GER]

WELDEX

For design help, accessories or pricing, please contact:
sales@avsupply or call: 1-858-565-1101