

Weatherproof Armordome with Vari-Focal Lens

**SURFACE MOUNT
WEATHERPROOF DOME**



**WDDS-2400S
WDDS-2405S**

Slotted, smoked or
clear domes available

**FLUSH MOUNT
WEATHERPROOF DOME**



**WDDF-2400F
WDDF-2405F**

MAIN FEATURES

- Unique Design - Durable, Dependable, High Picture Quality.
- High Impact Lexan Dome and Tamper Proof Hardware
- Fully Weather Sealed with NEMA 4 Rating
- Able to Withstand Extreme Temperatures and Weather Conditions
- No Exposed Cables and Attractive Design
- Industrial, Corrections, and Residential Applications
- Easy Installation - With the Vari-Focal 4.0-9.0mm Lens on a Manual Pan & Tilt Mount, Installers Have Never Had it so Easy
- AC-24V or DC-12V in High and Normal Resolution

WELDEX CAN CUSTOMIZE CAMERAS FOR YOUR S

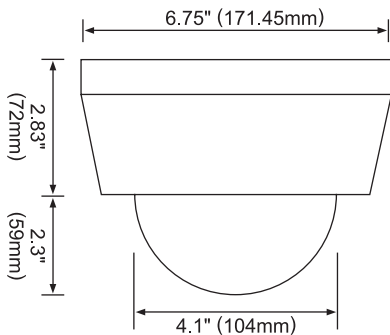
For design help, accessories or pricing, please contact:
sales@avsupply or call: 1-858-565-1101

AUDIOVIDEO SUPPLY
1-800-284-2288 sales@avsupply.com
www.avsupply.com

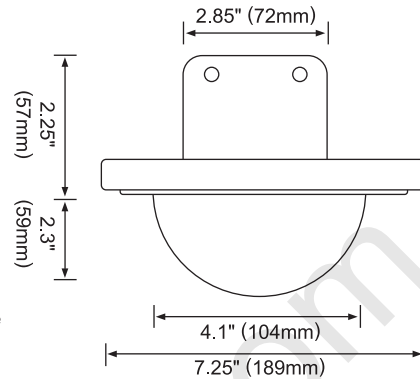
Weatherproof Armordome with Vari-Focal Lens

DIMENSIONS

SURFACE MOUNT



FLUSH MOUNT



All armordomes are wall mountable

Note: Flush mount can be installed into double gang box.

SPECIFICATIONS

Electrical

Input Voltage	AC-24 Volt or DC-12 Volt (See chart below)
Power Consumption	160mA or less
Video Connector	BNC
Power Connector	AC-24 Volt - Bare Leads / DC-12 Volt - Barrel Plug

Video

Pixels	High Resolution - 768 (H) x 494 (V), Normal Resolution - 512 (H) x 492 (V)
S/N Ratio	More than 48dB
Video Output	1.0Vp-p 75ohm

Physical

Construction	Chassis and housing - Steel Dome - Polycarbonate
Lens	4.0 - 9.0mm Auto Iris Vari-Focal (Optional 2.6 - 6.0mm Auto Iris Vari-Focal)
Finish	Housing - Beige (Other colors available)
Cable Entry	3/4" NPT threaded opening on bottom (surface mount design)
Gimble Adjustments	X/Y/Z Axis
Adjustment	120 Deg. Pan / 180 Deg. Tilt / 70 Deg. Rotation
Weight	Flush mount - 1.60 lbs. / Surface mount - 2.80 lbs.

Environment

Operating Temp.	-22 Deg. F to +158 Deg. F
NEMA Rating	Type 4 (When installed)

Accessories & Options

Pendant Housing	Part#: WDH-PENT (For use with WDDS series)
Pendant Wall Mount	Part#: WDH-BRK (For mounting bracket only)
Dome Cover Color	Tinted (Standard), clear, mirrored, and others available
Conduit Side Entry	Add "C" to part# (WDDS surface mount series only)

SURFACE MOUNT	FLUSH MOUNT	IMAGE SENSOR	POWER REQ.	RESOLUTION	LUX	LENS
WDDS-1400S	WDDF-1400F	1/3" B&W DSP	24 VOLT AC	430 TV LINES	0.03	4-9mm VARI-FOCAL AUTO-IRIS
WDDS-1405S	WDDF-1405F	1/3" B&W DSP	24 VOLT AC	570 TV LINES	0.03	4-9mm VARI-FOCAL AUTO-IRIS
WDDS-2400S	WDDF-2400F	1/3" COLOR DSP	24 VOLT AC	420 TV LINES	0.3	4-9mm VARI-FOCAL AUTO-IRIS
WDDS-2405S	WDDF-2405F	1/3" COLOR DSP	24 VOLT AC	570 TV LINES	0.3	4-9mm VARI-FOCAL AUTO-IRIS
WDDS-1200S	WDDF-1200F	1/3" B&W DSP	12 VOLT DC	430 TV LINES	0.03	FIXED 3.6mm Others Available
WDDS-1205S	WDDF-1205F	1/3" COLOR DSP	12 VOLT DC	420 TV LINES	0.3	FIXED 3.6mm Others Available

For design help, accessories or pricing, please contact:
sales@avsupply or call: 1-858-565-1101