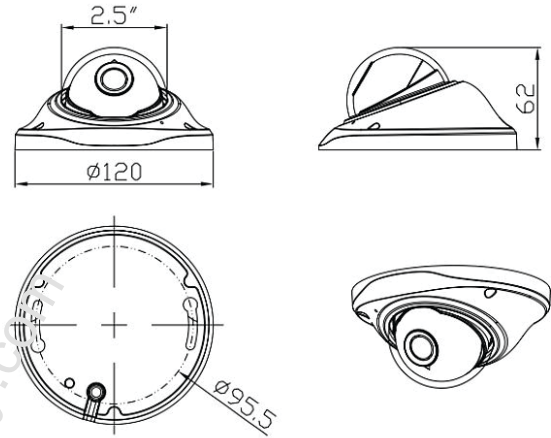


3.2 Megapixel Low Profile IP Dome Camera

WDP-2652M2



DIMENSIONS



SPECIFICATIONS

Camera	Imaging Device	Picture Elements	Scanning System	Lens	Day & Night		
	Sony IMX123 1/2.8" 3.2 Megapixel CMOS Image Sensor	2065 (H) × 1553 (V)	Progressive Scan	F2.5 2.0mm 3Mega Pixel Fixed Board Lens	Auto / BW / Color		
	Enhancements	AGC	Adjustments	Noise Reduction	S/N Ratio		
	HDR, BLC	Low / Middle / High	Brightness, Saturation Contrast, Sharpness	3DNR	More than 50dB		
Video	Compression	Streaming	Resolution	Frame Rate			
	H.264, MJPEG	Simultaneous multiple streams H.264 streaming over UDP/TCP/HTTP or HTTPS MJPEG streaming over HTTP or HTTPS	640x480, 800x480, 800x600, 1024x768, 1280x720, 1280x1024, 1920x1080, 2048x1536	HDR off: up to 30fps @ 2048x1536 HDR on: up to 30fps @ 1920x1280			
Audio	Input	Compression	Networking	Interface	ONVIF	Protocols	Users
	Internal C-MIC (-30dB)	PCM		10/100 Mbps Ethernet RJ-45	Support Profile-S	IPv4, TCP/IP, HTTP, HTTPS, UPnP, Bonjour, RTP/RTSP, SMTP, FTP, DHCP, NTP, DNS, DDNS, SNMP	8 Clients monitoring at the same time
Security		Illumination	IR LED	Illuminate Distance	Maintenance	Firmware	Factory Reset
Multi-level user access with password protection IP address filtering HTTPS encrypted data transmission			Controllable 8 IR Leds by Photo sensor	15 ~ 20 ft		Supports Firmware upgrade	Restores to factory default settings
Applications	Security	Connectors	Ethernet	Power Input	Power over Ethernet (PoE)	Power Supply	Power Consumption
	SDK available for application development and system integration		RJ-45 Jack	2.1mm DC Jack	IEEE 802.3af	9VDC ~ 28VDC Input	Max 4W
Environmental	Operating Temperature	Humidity	System	Operation System	Dimensions	Weight	
	10°C ~ 60°C	10 ~ 90% RH, non condensing		Embedded Linux	120mm(W) × 120mm(D) × 62mm(H)	330g	