

Mini Speed Dome Camera

WDS-1010P



- The world smallest speed dome outdoor
- Built-in 10x auto focus optical zoom (digital 10x)
- 1/4" interline transfer CCD
- Day & night (ICR), 0.7Lux with ICR on
- Horizontal resolution 500TVL (min.)
- Multi protocol & baud rate support (pelco-D / pelco-P / STD)
- Programmable user preferences (preset, tour, scan, etc.)
- Vector scan & diagonal scan during auto tour
- CD,FCC,VCCI, RoHS compliance
- Ip67 (waterproof) / vandalproof (built-in fan & heater)

SPECIFICATION

	NTSC	PAL
Image device	1/4" interline transfer CCD	
Lens	10x, F=3.8 to 38.0mm(F2.8)	
Min. focus distance	1,000mm	
SYNC system	2:1 interline	
S/N ratio	50dB (AGC off, weight on)	
Total pixel	410K	470K
Effective pixels	768(H) x 494(V)	752(H) x 582(V)
Day & night	Auto1, auto2, color, B/W (ICR)	
Horizontal resolution	Color: 500TV lines (wide end.) , B/W: 570TV lines (wide end.)	
Minimum illumination	Color: 0.7Lux / F=2.8 (50IRE)	B/W: 0.02Lux / F=2.8 (50IRE)
Video output signal	CVBS: 1.0 Vp-p / 75Ohm	
Control method	RS-485 or RS-232 (9600bps, 19200bps, 38400bps selectable)	
WDR (wide dynamic range)	-	
White balance	ATW / AWC / manual (1800°K ~ 10,500°K)	
Panning range & speed	0° ~ 360° / max 360° / sec.	
Panning range & speed	-2° ~ +90° / max 90° / sec.	
Preset speed	Max 400°	
Preset position	1 ~ 240 positions	
Group tour	1 ~ 8 group tour	
Pattern	1 ~ 8 pattern (120sec. memory)	
Auto scan	1 ~ 8 scan (programmable speed & diagonal scan)	
Flip	Auto flip (on / off)	
Privacy zone masking	6 privacy zones (4 group) total 24 privacy zones	
Alarm	4 inputs / 1 output	
Protocol	RS-485, 422 baud rate 9600bps (STD.) (opt.: 38400, 4800, 2400)	
Camera ID	1 ~ 99	
OSD	Dome ID, pan / tilt angle range mode	
Operating temperature	4°F ~ +158°F (-20°C ~ +70°C)	
Operating humidity	up to 90%RH	
Storage temperature	-4°F ~ +158°F (-20°C ~ +70°C)	
Built-in fan & heater	Built-in fan & heater	
Heater operation	24.8°F	
Certifications	-	
IP rating	CE, FCC, RoHS, IP67	
Power supply	DC24V, 750mA	
Dimensions	132.5 x 162.05mm (3.5" bubble)	
Weight	Approx.1400g	

Distributed By: Audio Video Supply -- Tel: 1-800-284-2288 -- www.avsupply.com

weldex.com
oem@weldex.com
Tel: (714) 761-2100 [USA]
Fax:(714) 761-3811 [USA]
Tel:+49 (0)2102 528 2803 [GER]
Fax:+49 (0)2102 528 2804 [GER]

For design help, accessories or pricing, please contact:
sales@avsupply or call: 1-858-565-1101

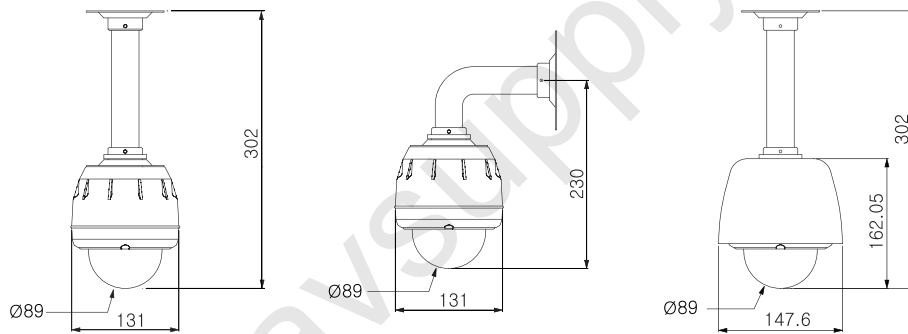
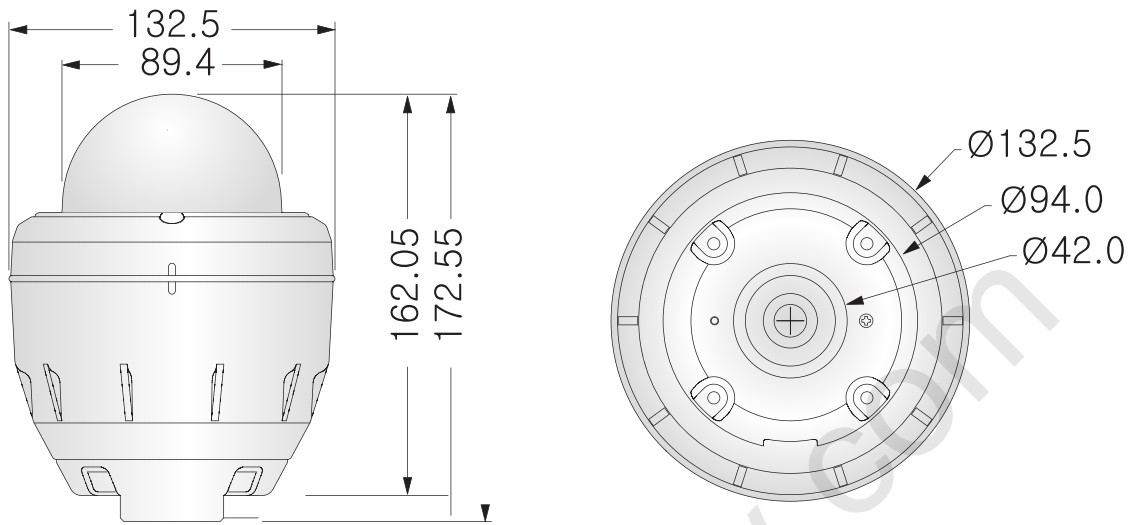


1-800-284-2288 sales@avsupply.com
www.avsupply.com

© 2014 Weldex

6751 Katella Avenue, Cypress, CA 90630 [USA]
Broichhof Strasse 5 D-40880 Ratingen, Germany [GER]

DIMENSIONS



OPTIONAL BRACKET



(WD-500MOC)
Ceiling mount bracket



(WD-500MOW)
Wall mount bracket



(WD-500MOS)
Surface mount bracket



(WD-500SH)
Sunshield bracket